

OVERVIEW:

Use this information if wanting to sense if the Quest 876 model is in a defrost mode.

PARTS:

- 3 double throw relays (NO and NC terminals)

DEFROST LOGIC:

- Call for Dehu = Yes
- Signal to Compressor relay = No
- Signal to Compressor heater relay = Yes

WIRING:

- Relay Coil 1 = Blue wire to pin 4 on back of terminal block.
- Relay Coil 2 = Green wire to compressor relay coil. Same side as Blue 2 wire.
- Relay Coil 3 = Orange wire to heater relay coil. Pair with Gray 37 wire.
- Common for relay coil 1,2,3 = Red wire to compressor relay coil. Same side as Red 32 wire.
- Purple wire from Relay 1 NO terminal to Relay 2 COM terminal.
- Purple wire from relay 2 NC terminal to relay 3 COM terminal.

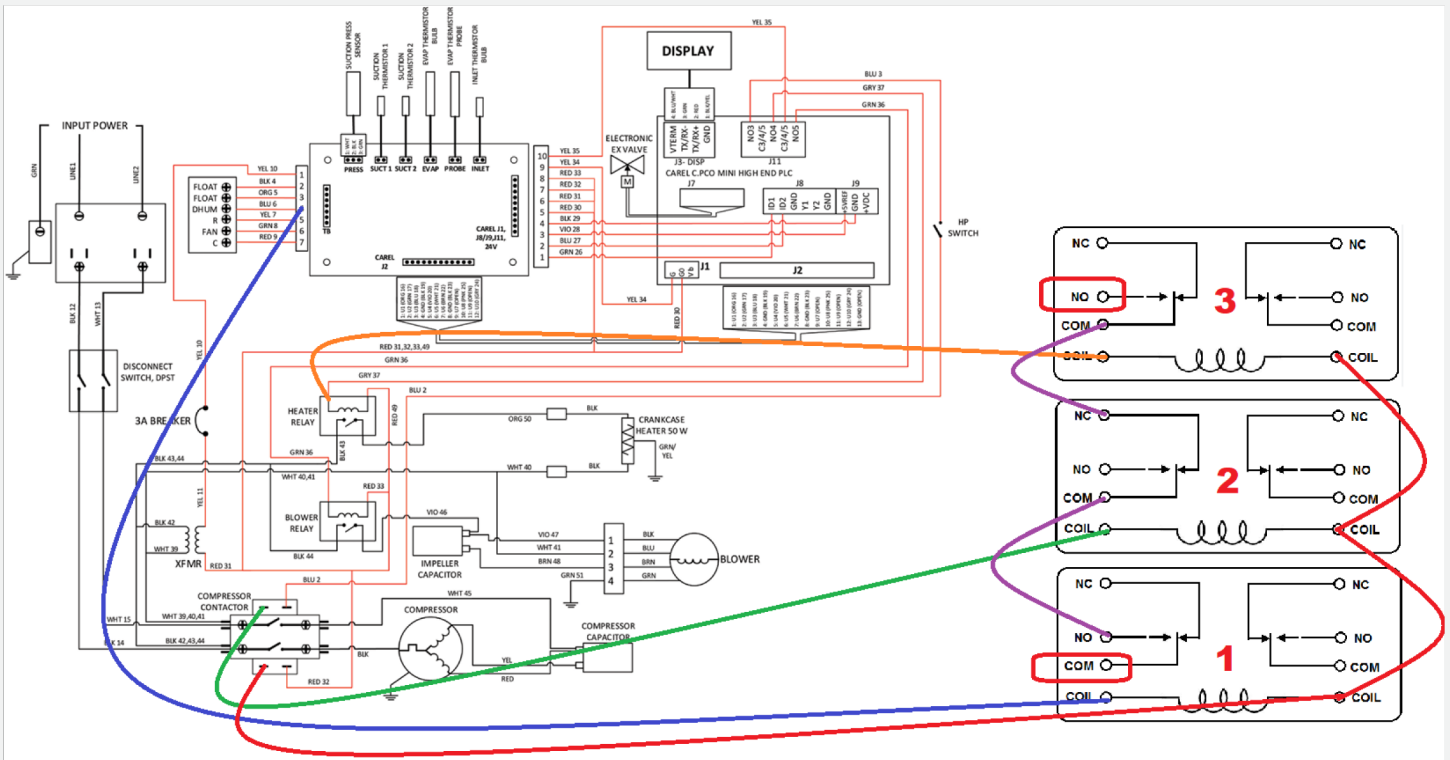
FUNCTION:

- Red boxes on relays 1 & 2 will create a closed circuit when the unit in defrost.

SEE NEXT PAGE FOR DIAGRAM

Quest 876 Defrost Sensing Circuit

SERVICE DOCUMENT



Have Questions? Contact the Quest service department at **877-420-1330** or **service@questclimate.com**