

# Quest PowerDry 850D Pro



## Desiccant Dehumidifier

The Quest PowerDry 850D Pro Desiccant provides the perfect blend of portability, versatility, and performance in a medium-capacity desiccant dehumidifier. It combines the wide operating range and ultra-low grains of the Quest PowerDry 1200D Pro with the portability of a refrigerant dehumidifier like our Quest PowerDry 4000 Pro. The included remote humidistat and process blower speed control allow you to tailor the drying to the task at hand. The 850D operates both vertically or horizontally and is perfect for low clearance applications, fitting inside most crawlspaces. The lower carrying handle makes moving the unit down stairs, as well as into and out of a crawlspace, a breeze.

The PowerDry 850D delivers 850 CFM of ultra-low grain process air and removes a stunning 370 pints per day at AHAM conditions. The true four-hole design\* allows for positive, neutral, or negative pressurization of the affected area.

Power to the unit is provided by either a 30- or 50- amp, 230-volt grounded power cord (both are included). The reactivation air stream is ducted through 6" flex duct, which is also provided with the unit.

*\*Having completely separate process and regeneration airstreams.*

### When to use:

- 850D is ideal for drying low evaporation materials such as concrete, brick, plaster, and hardwoods.
- 850D performs better in cooler temperatures (below 70°) than refrigerant dehumidifiers
- 850D desiccant is sized for 2 ACH (class 2) for up to 25,500 cu.ft and up to 3 ACH (class 3 & 4) on 17,000 cu.ft

### How to use:

- Use Max Water when primarily drying the air
- Use Max Grains when tenting or drying low evaporation materials
- The unit can operate horizontally or vertically
- Duct the reactivation outlet (225 CFM) outside the affected area or into refrigerant dehumidifier(s) with +350 CFM inlet.



Quest PowerDry  
850D Pro

ETL Listed



### Features:

- 850 CFM of Process Air Flow
- Ultra Low Grains for Max Water Removal
- True Four Hole Desiccant
- Operates Vertically and Horizontally
- Runs on 240V 50A or 30A Connections
- Small Size and Weight
- Legendary Stainless Construction



Engineered Excellence for  
Construction Professionals



Specifications subject to change without notice. 08/16



Therma-Stor<sup>LLC</sup>  
4201 Lien Rd  
Madison, WI 53704

1-866-933-7486  
www.QuestProtect.com  
sales@QuestProtect.com



# Quest PowerDry 850D Pro

## Desiccant Dehumidifier

### PowerDry 850D Pro Specifications

<b>Part Number</b>	4034010
<b>Power</b>	208-240VAC, 50/60Hz, Single Phase 30A or 50A branch circuit protection (24A or 40A actual amp draw)
<b>Water Removal</b>	370 pints/day @ AHAM (80° F, 60%)
<b>Blower</b>	850 CFM Process Airflow 225 CFM Reactivation Airflow
<b>Operating Range</b>	-10° F to 120° F
<b>Filters</b>	Process filter size: 20" x 20" x 2" Reactivation filter size: 9" x 11 3/8" x 1/4"
<b>Duct Connections</b>	Process Inlet: 18" or 12" Flex-Duct (optional) Process Outlet: 10" Lay Flat collar (optional) Reactivation Inlet: 6" Flex-Duct (optional) Reactivation Outlet: 6" Flex-Duct (required)

**Warranty** One year Parts and Labor

### Dimensions:

	Machine	Shipping
Width	20"	24"
Height	41"	47"
Depth	23.25"	26"
Weight	155 Lbs.	173 Lbs.

### Popular Accessories

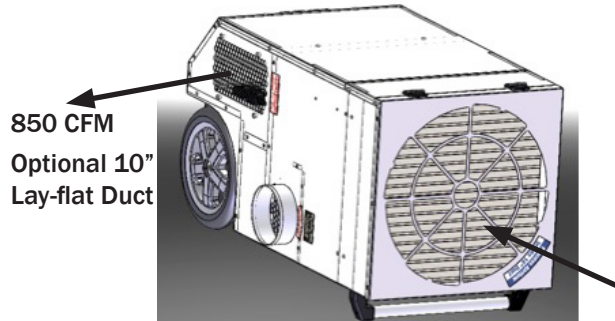
4026859	6" Metalized Polyester Flex-Duct 25' (Standard)
4020128	6" Insulated Flex-Duct 25'
4024750	12" Metalized Polyester Flex Duct 25'
4023643	18" Metalized Polyester Flex Duct 25'
4022537	10" Lay Flat Duct 500'
4024935	10" Lay Flat Duct 250'
4024440	Kestrel 3000 Multi-Function Air Meter
4030115	Reed LM 8000 Multi-Function Meter
4027326	25' 240V Cord Kit
4031045	50' 240V Cord Kit
4031046	75' 240V Cord Kit
4031047	100' 240V Cord Kit
4036662	Remote Humidistat

### Process Air Filter Replacement

4022636 20" x 20" x 2" MERV 8 Filter (Standard)

### Reactivation Air Filter Replacement

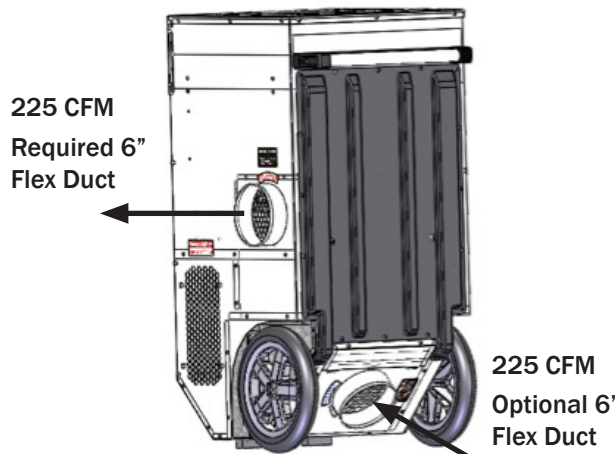
4027168 9" x 11-3/8" x 0.25" Pre-Filter (Standard)



850 CFM  
Optional 10"  
Lay-flat Duct

Desiccant process air stream

850 CFM  
Optional 18"  
Flex Duct



225 CFM  
Required 6"  
Flex Duct

Desiccant reactivation air stream

225 CFM  
Optional 6"  
Flex Duct



Small storage compartment



6in flex duct



Engineered Excellence for  
Construction Professionals



Specifications subject to change without notice. 09/16

**Therma-Stor** LLC  
4201 Lien Rd  
Madison, WI 53704

1-866-933-7486  
www.QuestOnTheJob.com  
sales@QuestOnTheJob.com