

## AIR CAN BE DISTRIBUTED FROM THE UNIT IN TWO WAYS:

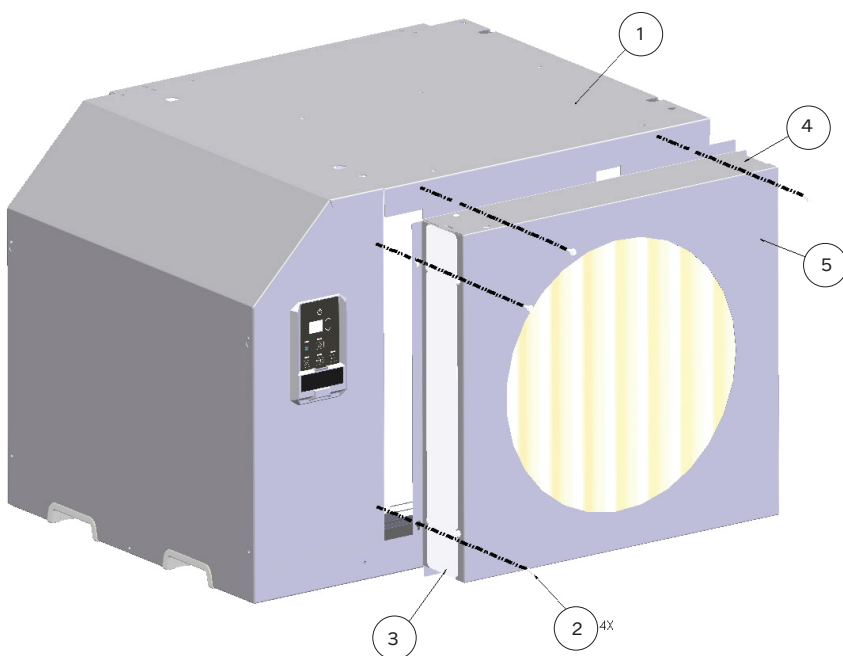
### ① USE RECTANGULAR DUCT.

- A. REMOVE THE FILTER FROM THE UNIT AND SET ASIDE. THIS WILL BE RE-USED AFTER THE DUCTING IS INSTALLED.
- B. ATTACH INTAKE DUCT PLENUM (**ITEM 4**) TO DEHUMIDIFIER AIR INTAKE USING FOUR (4) #10-24 SHEET METAL SCREWS. REFERENCE "SAFE ZONE" DIAGRAM IN QUEST 335 OR ANDEN A321 MANUAL IF UNSURE OF FASTENER LOCATIONS.
  - MARK TO HOLE LOCATIONS USING THE PLENUM AS A GUIDE. PRE-DRILL THE SCREW HOLES USING A 1/8 DRILL BIT.
  - LOOSEN THE TWO SCREWS ON THE RIGHT SIDE OF THE UNIT (DO NOT REMOVE) TO FIT THROUGH THE KEYHOLE SLOT THEN TIGHTEN DOWN.
- C. OPEN AND REMOVE FILTER DOOR (**ITEM 3**).
- D. SLIDE FILTER INTO INTAKE DUCT PLENUM (**ITEM 4**).
- E. INSTALL FILTER DOOR (**ITEM 3**) OVER FILTER OPENING IN INTAKE DUCT PLENUM (**ITEM 4**).
- F. ATTACH RECTANGULAR DUCTING (NOT INCLUDED) DIRECTLY TO DUCT ADAPTER FACE (**ITEM 5**).

### ② USE 1-16" ROUND DUCT.

- A. REMOVE THE FILTER FROM THE UNIT AND SET ASIDE. THIS WILL BE RE-USED AFTER THE DUCTING IS INSTALLED.
- B. ATTACH INTAKE DUCT PLENUM (**ITEM 4**) TO QUEST 335 OR ANDEN A321 AIR INTAKE USING FOUR (4) #10-24 SHEET METAL SCREWS. REFERENCE "SAFE ZONE" IMAGE IN MANUAL IF UNSURE OF FASTENER LOCATIONS.
  - MARK TO HOLE LOCATIONS USING THE PLENUM AS A GUIDE. PRE-DRILL THE SCREW HOLES USING A 1/8 DRILL BIT.
  - LOOSEN THE TWO SCREWS ON THE RIGHT SIDE OF THE UNIT (DO NOT REMOVE) TO FIT THROUGH THE KEYHOLE SLOT THEN TIGHTEN DOWN.
- C. OPEN AND REMOVE FILTER DOOR (**ITEM 3**).
- D. SLIDE FILTER INTO INTAKE DUCT PLENUM (**ITEM 4**).
- E. INSTALL FILTER DOOR (**ITEM 3**) OVER FILTER OPENING IN INTAKE DUCT PLENUM (**ITEM 4**).
- F. ATTACH 16" DIAMETER ROUND DUCT COLLAR (NOT PROVIDED) TO DUCT ADAPTER FACE (**ITEM 5**).

**⚠ CAUTION** WHEN DUCTING THE UNIT, A DEDICATED DUCT SYSTEM IS RECOMMENDED FOR EACH UNIT. RECOMMENDED 25' MAX RUN OF DUCTING.



**ITEM 1:** Dehumidifier (not provided)

**ITEM 2:** #10-24 Hex-Slotted Screws (4)

**ITEM 3:** Filter Door

**ITEM 4:** Intake Duct Plenum (1)

**ITEM 5:** Duct Adapter Face (1)

**ITEM 6:** 16" Dia. Duct Collar (not provided)\*

**ITEM 7:** 1/8" Drill Bit (not provided)\*

\* Available at any hardware or HVAC store

**FOR MORE MORE DETAILS ON DUCTING,  
SEE YOUR DEHUMIDIFIER MANUAL.**

**AIR CAN BE DISTRIBUTED FROM THE UNIT IN TWO WAYS:****① USE RECTANGULAR DUCT.**

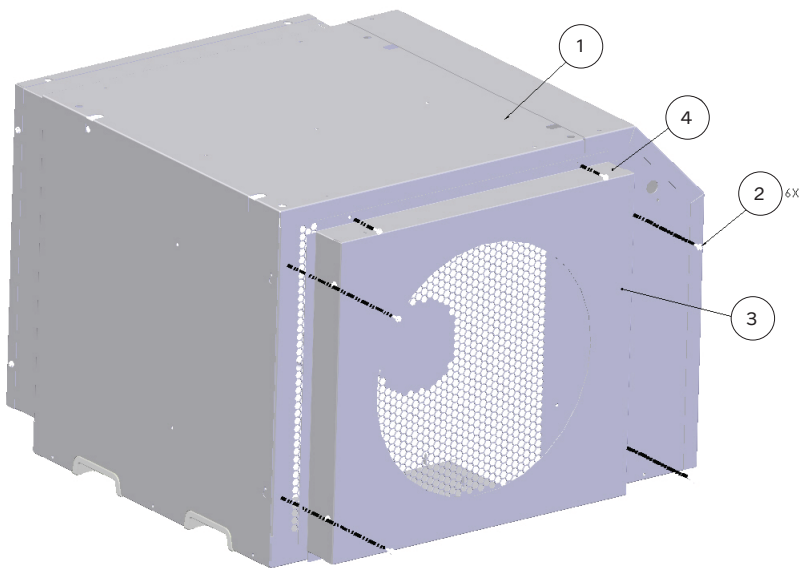
- A. ATTACH EXHAUST DUCT PLENUM (**ITEM 4**) TO THE DEHUMIDIFIER AIR OUTLET USING SIX (6) #10-24 SHEET METAL SCREWS.
- REFERENCE THE "SAFE ZONE" DIAGRAM IN QUEST 335 MANUAL OR THE ANDEN A321 MANUAL FOR FASTENER LOCATIONS.
  - MARK TO HOLE LOCATIONS USING THE PLENUM AS A GUIDE. PRE-DRILL THE SCREW HOLES USING A 1/8" DRILL BIT.
- B. ATTACH RECTANGULAR DUCTING (NOT PROVIDED) DIRECTLY TO EXHAUST DUCT PLENUM (**ITEM 3**).

**② USE 1-16" ROUND DUCT.**

- A. ATTACH **ITEM 4** (EXHAUST DUCT PLENUM) TO **ITEM 1** (UNIT) USING SIX (6) #10-24 SHEET METAL SCREWS.
- REFERENCE THE "SAFE ZONE" DIAGRAM IN QUEST 335 MANUAL OR THE ANDEN A321 MANUAL FOR FASTENER LOCATIONS.
  - MARK TO HOLE LOCATIONS USING THE PLENUM AS A GUIDE. PRE-DRILL THE SCREW HOLES USING A 1/8" DRILL BIT.
- B. ATTACH 16" DIAMETER ROUND DUCT TO EXHAUST DUCT PLENUM FACE (**ITEM 3**).



**CAUTION** WHEN DUCTING THE UNIT, A DEDICATED DUCT SYSTEM IS RECOMMENDED FOR EACH UNIT. RECOMMENDED 25' MAX RUN OF DUCTING.



**ITEM 1:** Dehumidifier (not provided)

**ITEM 2:** #10-24 Hex-Slotted Screws (6)

**ITEM 3:** Duct Plenum Face (1)

**ITEM 4:** Exhaust Duct Plenum (1)

**ITEM 5:** 16" Dia. Duct Collar (not provided)\*

**ITEM 6:** 1/8" Drill Bit (not provided)\*

\* Available at any hardware or HVAC store



FOR MORE MORE DETAILS ON DUCTING,  
SEE YOUR DEHUMIDIFIER MANUAL.