
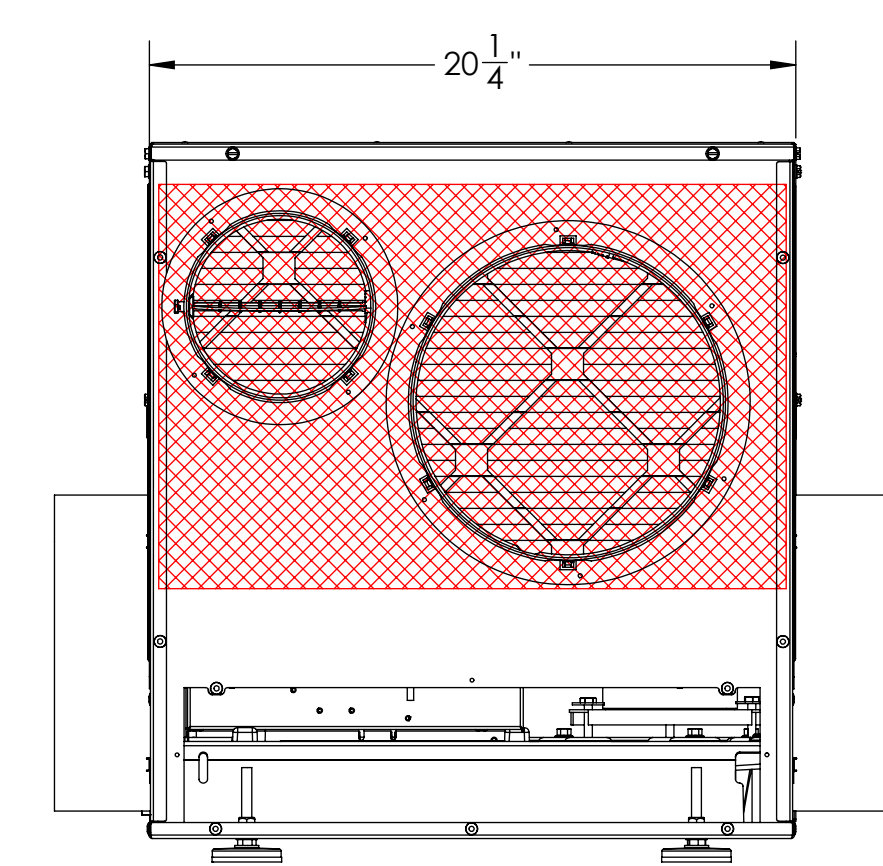
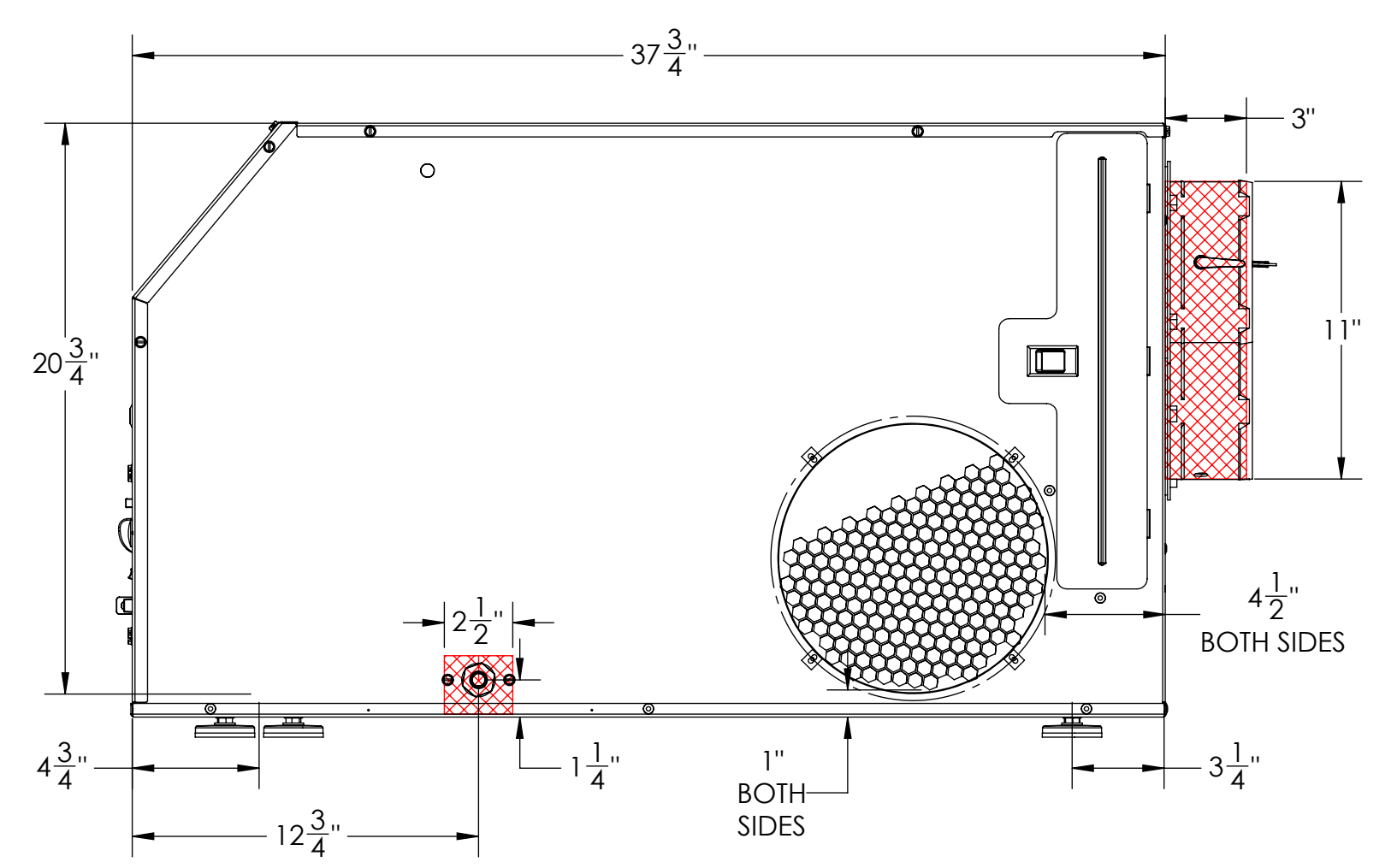
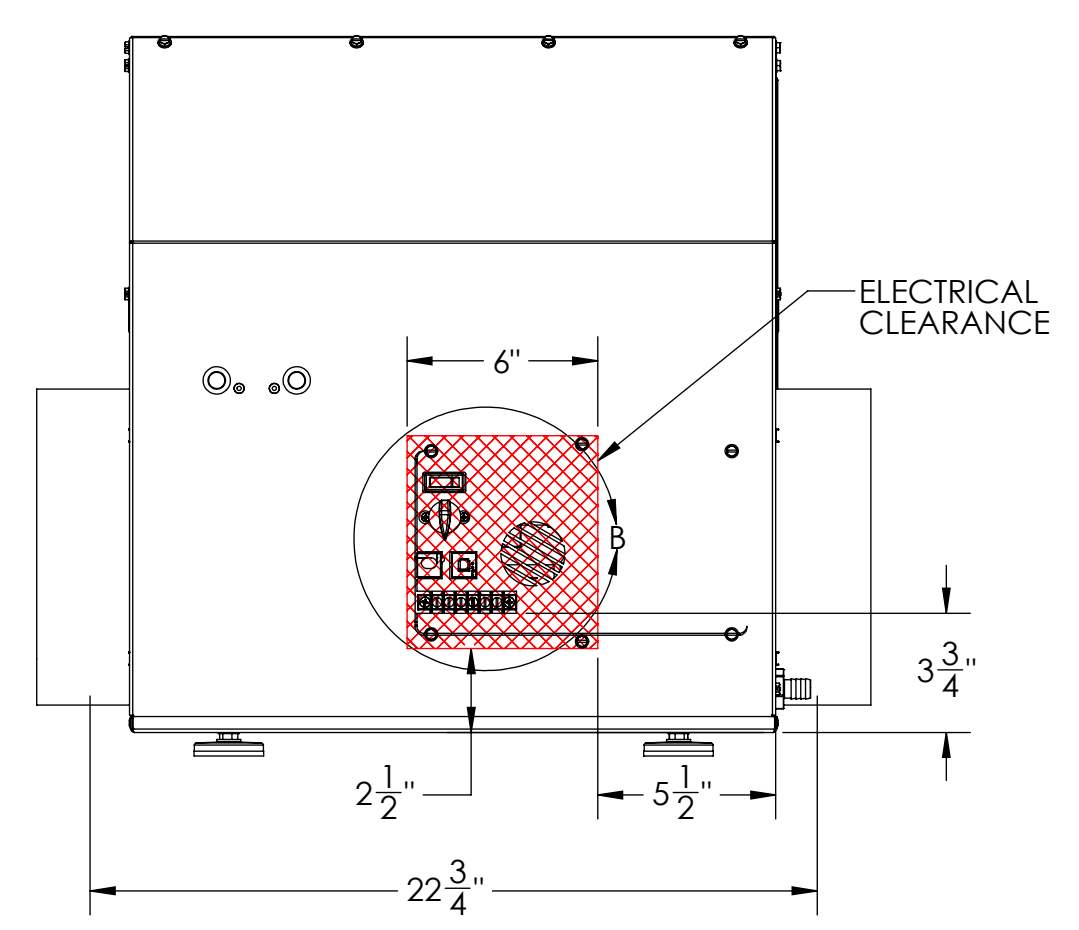
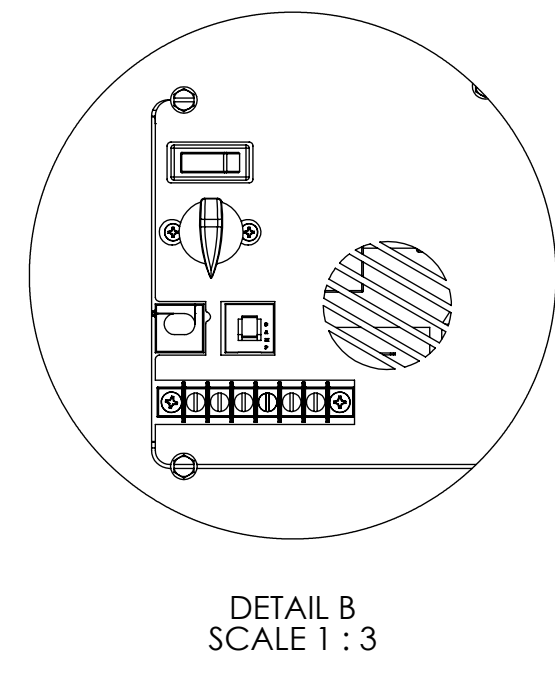
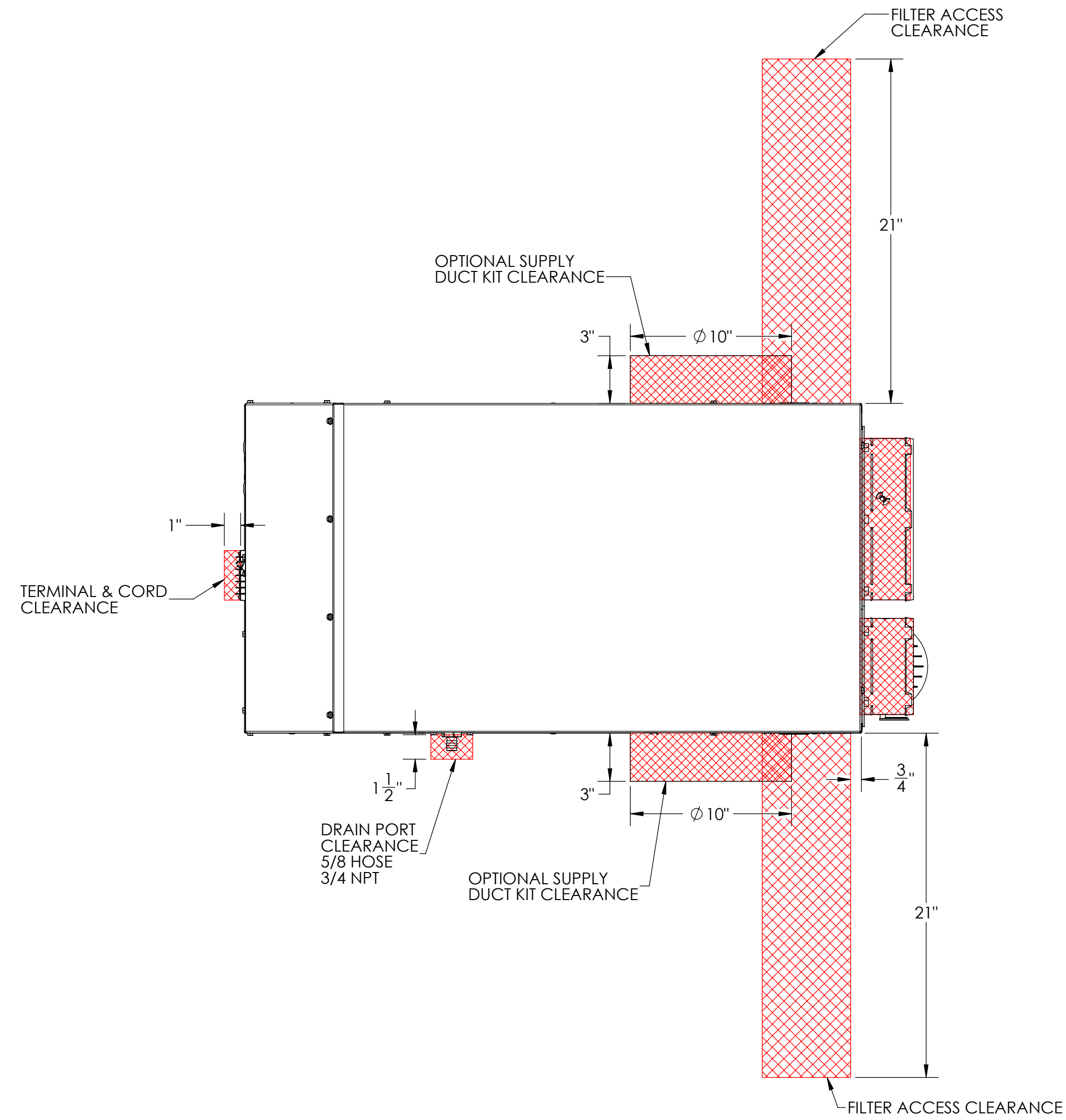


SIGNATURES / DATE	
REV ECO	REL ECO
REV CHANGED BY	DRAWN BY MAB 11/15/2018
REV CHECKED BY	CHECKED BY
SIZE D	SCALE 1:6



**Therma-Stor** LLC  
 4201 Lien Road, Madison, WI 53704

TITLE: **DEHU,XT,155,QUEST DUAL**

DWG. NO. **4031490** SHEET **1 OF 2** REV. **P1**



SIGNATURES / DATE	
REV ECO	REL ECO
REV CHANGED BY	DRAWN BY MAB 11/15/2018
REV CHECKED BY	CHECKED BY
SIZE D	SCALE 1:6


**Therma-Stor LLC**  
 4201 Lien Road, Madison, WI 53704

TITLE: **DEHU,XT,155,QUEST DUAL**  
 DWG. NO. **4031490** SHEET **2 OF 2** REV. **P1**