

50Hz Quest 155

Installation, Operation and Maintenance Instructions

– Read and Save These Instructions –

This manual is provided to acquaint you with the dehumidifier so that installation, operation and maintenance can proceed successfully. Ultimate satisfaction depends on the quality of installation and a thorough understanding of this equipment. The dehumidifier is built around tested engineering principles and has passed a thorough inspection for quality of workmanship and function.

50Hz Quest 155:

- Industry-leading efficiency
- Patented, optimized air-to-air heat exchanger
- High-efficiency, long-life impeller fan
- MERV-13 filtration
- Auto-restart after power outages
- Low voltage control



Water Removal Rates Per Day @ 26.7°C (80°F) 60% (AHAM)

Dehumidifier	Liters	Pints/Gallons
Quest 155	71	150/18.7



4201 Lien Rd
Madison, WI 53704
www.QuestClimate.com

Phone 608-237-8400
Toll-Free 1-877-420-1330
info@QuestClimate.com

Table of Contents

Safety Precautions	3
1. Intended Application(s).....	4
2. Registration	4
3. Specifications	4
4. Installation	5
4.1 Location	5
4.2 Electrical Requirements.....	5
4.3 Condensate Water Removal.....	6
4.4 Hanging Diagram	6
4.5 Ducting	7
4.5A. Supply Duct Kit (P/N 4028607).....	7
4.5B Return Duct Kit (P/N 4028610).....	7
5. Control Options.....	7
5.1 On Board Dehumidistat.....	7
5.2 External Control	8
5.2A DEH 3000R	8
5.2B Honeywell Remote Humidistat	9
6. Maintenance	9
7. Service	9
7.1 Warranty	9
7.2 Technical Description	9
7.3 Troubleshooting.....	10
7.4 Refrigerant Charging.....	11
7.5 Impeller Fan Replacement	11
7.6 Compressor/Capacitor Replacement	12
7.6A Checking Compressor Motor Circuits.....	12
7.6B Replacing a Burned out Compressor.....	12
7.6C Replacing a Compressor, Nonburn Out.....	13
7.7 Remote Controls.....	13
7.7A Humidity Control.....	14
7.8 Defrost Thermostat.....	14
7.9 Condensate Pump Kit	14
8. Wiring Diagram.....	15
9. Service Parts List	16
Warranty	18

Safety Precautions

Read the installation, operation and maintenance instructions carefully before installing and operating this device. Proper adherence to these instructions is essential to obtain maximum benefit from your Quest 155 indoor air quality system.

READ AND SAVE THESE INSTRUCTIONS

- Never operate a unit with a damaged power cord. If the power cord is damaged, it must be replaced by the manufacturer, its service agent, or a similarly qualified person in order to avoid a hazard.
- Do not unplug the unit by pulling on the cord. Grasp the plug firmly and pull it out of the wall socket or power receptacle.
- When plugging in the unit, use a Ground Fault Interrupter outlet.
- This appliance is not intended for use by persons (including children) with reduced physical, sensory or mental capabilities, or lack of experience or knowledge, unless they have been given supervision or instruction concerning the use of the appliance by a person responsible for their safety. Children should be supervised to ensure that they do not play with the appliance.
- Never operate electrical equipment near or in standing water.
- Do not stick your fingers or other objects through the safety grill.
- The unit must be used in the upright position.
- When changing filters, do not stick fingers or other objects in the unit.
- Do not restrict airflow in to or out of the unit. This may cause the unit to overheat.
- The unit should never be serviced or cleaned while it is plugged in.
- Do not sit or stand on the unit, or use as a shelf or table.
- Before leaving the unit unattended, ensure children do not have access to the equipment. Do not allow children to play with or near the unit or in its air flow.
- The unit is designed to be installed indoors only.
- No user serviceable components. Contact installer or call 1-877-420-1330 for all repair or warranty needs.

1. Intended Application for Quest 155




The Quest 155 is designed to operate in temperatures between 5°C and 35°C.

In order to efficiently control humidity levels, the area in which the dehumidifier is to be operated must be free of water intrusion or excessive fresh (outside) air infiltration. Before installing the Quest 155, water intrusion and air infiltration problems should be addressed.

2. Registrations

The Quest 155 conforms to CE standards.

3. Specifications @ 26.7°C/60% RH

	4037400-XX Quest 155
Blower:	415 CFM @ 0.0" WG
Power: (Watts)	800
Supply voltage:	230 VAC - 1 Phase - 50 Hz.
Current Draw: (Amps)	3.5
Energy Factor: (L/kWh)	3.74
Operating Temp:	5°C Min - 35°C Max
Water Removal: (L/Day)	71
Air Filter: MERV-13	Size: 41cm x 51cm x 5cm
Drain Connection:	3/4" Threaded NPT
Refrigeration Type:	R410A
Refrigerant Amount:	2 lbs, 1 oz
Dimensions:	Unit
Width:	96cm
Height:	56cm
Length:	51cm
Weight:	61 kg
Power Cord:	20' Fem IEC 60320-C13
4037400-01 UK Cord BS 1363 (type G)	
4037400-02 AUS Cord AS 3112 (type I)	
4037400-03 EU Cord CEE 7/7 (type E and F)	

4. Installation

Caution! Remove compressor shipping tie from the unit. Failure to remove shipping tie will cause excess vibration to be transmitted to the frame.

4.1 Location

The Quest Dehumidifier can be installed in a variety of locations to meet the owner's needs as listed below. In all cases keep the following cautions in mind:

- It is designed to be installed **INDOORS IN A SPACE THAT IS PROTECTED FROM RAIN AND FLOODING.**
- Install the unit with space to access the back and side panels for maintenance and service and also to allow easy access to the filter cover panel. **DO NOT INSTALL UNIT WITH THE FRONT PANEL OR FILTER COVER PANEL INACCESSIBLE.**
- Avoid discharging the air directly at people, or over the water in pool areas.
- Be certain there is **NO** chance the unit could fall into water or be splashed and that it is plugged into a **GROUND FAULT INTERRUPTER.**
- **DO NOT** use the Quest Dehumidifier as a bench or table.
- **DO NOT** place the Quest Dehumidifier directly on structural members. Provide vibration isolation in order to minimize operational vibration and/or noise.
- A drain pan **MUST** be placed under the unit if installed above an area where water leakage could cause damage.

Place the Quest Dehumidifier on supports that raise the base of the unit 7cm above the top of the flanges on the drain pan beneath it. Raising the Quest Dehumidifier will help the unit drain with gravity flow. Do not place the Quest Dehumidifier directly on structural building members without vibration absorbers or unwanted noise may result.

The Quest Dehumidifier may be suspended with steel hanger straps or a suitable alternative from structural members, unit must be supported from underneath. Don't hang from sides or ends. Remember to place a drain pan under the unit if it is suspended above a finished area or above an area where water leakage could cause damage. *See section 4.4*

4.2 Electrical Requirements

The Quest Dehumidifier plugs into IEC rated receptacles. The amp draws for each unit under normal operating conditions are listed on page 4. A ground fault interrupter protected circuit is required.

Install the remote control panel in a central area of the structure where it will sense the relative humidity of the structure accurately. Do not install the control panel where it may not accurately sense the relative humidity such as near HVAC supply registers, near exterior doors, or near a pool or spa. The installer must supply the wiring between the Quest Dehumidifier and the control panel. Be sure to safely route the control wiring to prevent damage during installation. Be careful not to cross the wires when connecting the Quest Dehumidifier and the remote control panel.

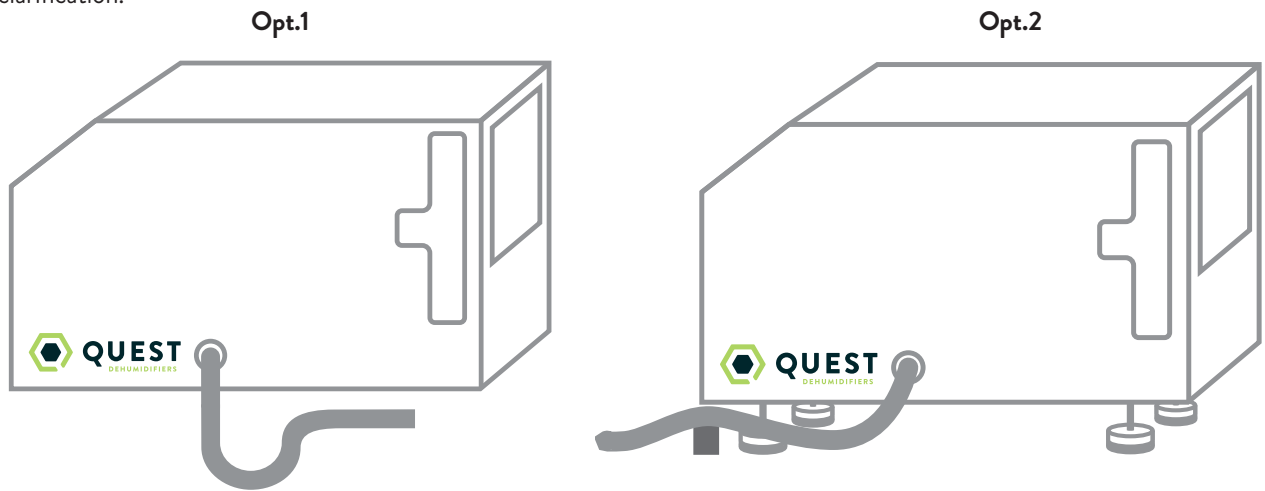
The remote controls of the Quest Dehumidifier are powered by a low voltage circuit (24 VAC) and must **NEVER** contact or be connected to a high voltage circuit. The control terminals and remote control are labeled and numbered to prevent confusion. Be sure to consult the electrical schematic in this manual or inside the access panel of the Quest Dehumidifier before making the control connections.

⚠ CAUTION! For proper drainage, the unit must be mounted so the drain outlet is at least 7cm above the floor drain, and must be fully supported under the base.

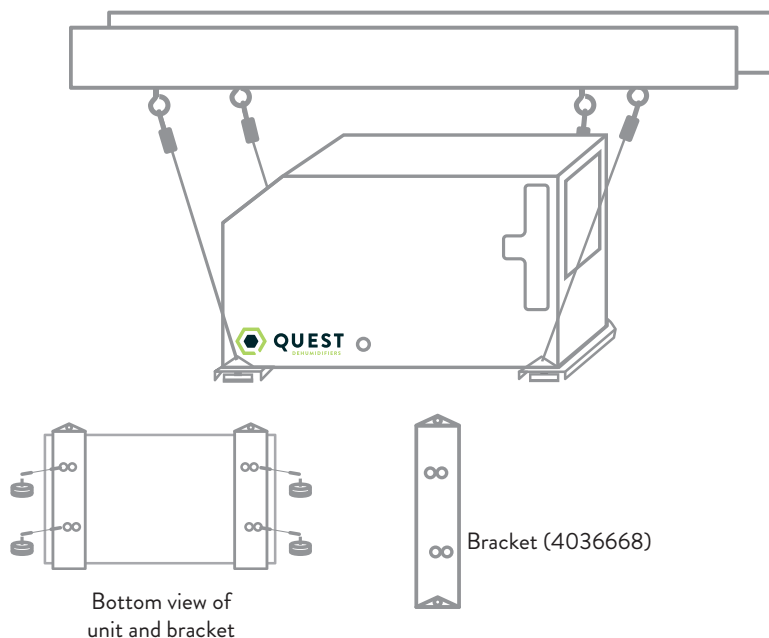
4.3 Condensate Water Removal

Condensate drains by gravity via the drain port. Use 3/4" male NPT PVC pipe. Route drain pipe to drain. Install a trap if possible. Take care when installing drain pipe to drain port. Use an adjustable wrench to secure the drain port. An optional condensate pump kit may be installed if a lift is required to dispose of the condensate. The condensate pump kit can be ordered directly from the factory. See the optional parts list for information on the kit.

When installing the drain hose make sure the feet are extended such that the dehumidifier is 7cm off the ground. Then coil the drain hose under itself or position a spacer to lift the hose 3cm" off the ground after the hose has touched the ground. This procedure will create a trap that ensures your unit drains correctly. See the diagram below for further visual clarification.



4.4 Hanging Diagram



4.5 Ducting

4.5A Supply Duct Kit (P/N 4028607)

A factory designed supply duct kit can be purchased to accept 10” ducting to both outlets of the Quest. Contact your dealer, call 1-877-420-1330, or go to www.questhydro.com/product-category/accessories to order.

4.5B Return Duct Kit (P/N 4028610)

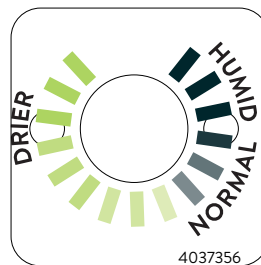
A factory designed return duct kit can be purchased to accept 12” ducting. Contact your dealer, call 1-877-420-1330, or go to www.questhydro.com/product-category/accessories to order.

5. Control Options

The Quest Dehumidifier can be controlled by its on board dehumidistat or with an external control using its low voltage terminal block.

5.1 On board dehumidistat

The humidity control is an adjustable switch that closes when the relative humidity of the air in which it is located rises to the dial set point. It opens when the RH drops 4 to 6% below the set point.



Approximate Humidity Levels Per Setting

“Dry”	20% to 30% Relative Humidity
“Normal”	50% Relative Humidity (Recommended)
“Humid”	80% to 90% Relative Humidity

The dehumidifier will run until the relative humidity (RH) is reduced to the humidity control dial setting.

5.2 External Control

The Quest Dehumidifier is controlled using five terminals.

COM = 24volt AC power transformer neutral side (common with white)

FAN = Fan control

24V = transformer high side

DEHU = Dehumidification (fan and compressor) control

DMPR = 24volt AC power transformer neutral side (common with red)

*** On board dehumidistat must be turned all the way to “Humid”**

Between the COM/DMPR lead and the 24V leads is a 40VA transformer. This low voltage power source powers the relay coils which control the fan and compressors. This 24VAC transformer can also be used to power HVAC accessories external to the dehumidifier.

- To turn the dehumidifier on make contact between 24V and DEHU terminals, or turn the dehumidistat clockwise towards drier.
- To turn the fan on make contact between 24V and FAN terminals.
- To power a 24V HVAC accessory, connect the accessory to the COM terminal and the 24V terminal.

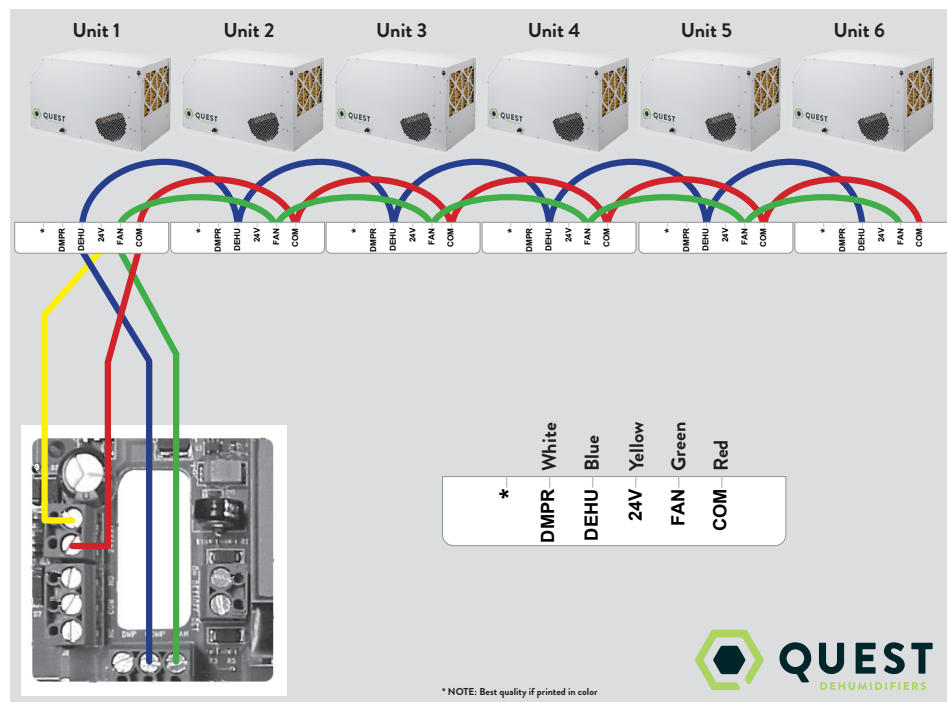
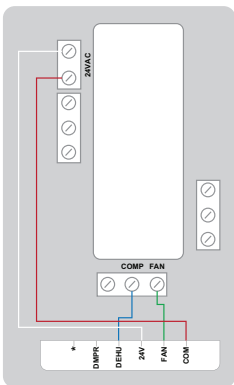
NOTE: 18 ga wire needed between the Quest dehumidifier and the external control

Quest offers two external control options

5.2A DEH 3000R

4028531

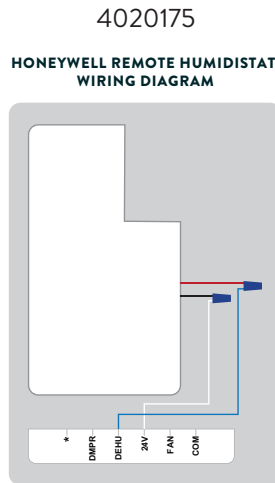
QUEST DEH 3000R CONTROL WIRING DIAGRAM



NOTE: 22 ga wire needed for sensor

Contact your dealer, call 1-877-420-1330, or go to www.questhydro.com/product-category/accessories to order.

5.2B Honeywell Remote Humidistat



6. Maintenance

⚠️ WARNING! NOTE: Do not operate the unit without the filter or with a less effective filter. The heat exchange coils inside the unit could become clogged and require disassembly to clean. Filter non-compliance invalidates the product warranty.

The Quest Dehumidifier ships with a standard MERV 13 efficient pleated fabric filter. Operating the unit with a dirty filter will reduce dehumidifier capacity and efficiency and may cause the compressor to cycle off and on unnecessarily on the defrost control.

To access the air filter, remove the filter access panel from the end of the Quest Dehumidifier. The filter should be readily visible and can be removed by pulling it straight out of the Quest Dehumidifier.

At minimum we recommend changing the filter every 3 to 6 months.

7. Service

⚠️ WARNING! Servicing the Quest with its high pressure refrigerant system and high voltage circuitry presents a health hazard which could result in death, serious bodily injury, and/or property damage. Only qualified service people should service this unit.

CAUTION: If the supply cord is damaged, it must be replaced by the manufacturer, its service agent or similarly qualified person in order to avoid a hazard.

7.1 Warranty

A warranty certificate has been enclosed with this unit; read it before any repair is initiated. If a warranty repair is required, call the factory first at 1-877-420-1330 for warranty claim authorization and technical assistance.

7.2 Technical Description

The Quest Dehumidifier uses a refrigeration system similar to an air conditioner's to remove heat and moisture from incoming air, and add heat to the air that is discharged.

Hot, high-pressure refrigerant gas is routed from the compressor to the condenser coil. The refrigerant is cooled and condensed by giving up its heat to the air that is about to be discharged from the unit. The refrigerant liquid then passes through a filter/drier and expansion device which causes the refrigerant pressure and temperature to drop. It next enters the evaporator coil where it absorbs heat from the incoming air and evaporates. The evaporator operates in a flooded condition, which means that all the evaporator tubes contain liquid refrigerant during normal operation. A flooded evaporator should maintain nearly constant pressure and temperature across the entire coil, from inlet to outlet.

The mixture of gas and liquid refrigerant enter the accumulator after leaving the evaporator coil. The accumulator prevents any liquid refrigerant from reaching the compressor. The compressor evacuates the cool refrigerant gas from the accumulator and compresses it to a high pressure and temperature to repeat the process.

7.3 Troubleshooting

Neither fan nor compressor running. Dehumidification is being called for. No fan call.

1. Unit unplugged or no power to outlet.
2. Humidity control set too high.
3. Loose connection in internal or control wiring.
4. Defective Compressor relay.
5. Defective control transformer.

Compressor is not running. Dehumidification is being called for. No fan call.

1. Defective compressor run capacitor.
2. Loose connection in compressor circuit.
3. Defective compressor overload.
4. Defective compressor.
5. Defrost thermostat open.

Compressor cycles on and off. Dehumidification is being called for. No fan call.

1. Low ambient temperature and/or humidity causing unit to cycle through defrost mode.
2. Defective compressor overload.
3. Defective compressor.
4. Defrost thermostat defective.
5. Dirty air filter(s) or air flow restricted.

Fan is not running. Dehumidification or fan is being called for.

1. Loose connection in fan circuit.
2. Obstruction prevents fan impeller rotation.
3. Defective fan.
4. Defective fan relay.

Low dehumidification capacity (evaporator is frosted continuously). Dehumidification is being called for

1. Defrost thermostat loose or defective.
2. Low refrigerant charge

3. Dirty air filter(s) or air flow restricted.
4. Excessively restrictive ducting connected to unit.

No ventilation. Ventilation is being called for.

1. Loose connection in ventilation control circuit
2. Loose connection in damper power circuit.
3. Defective fresh air damper.

Unit removes some water, but not as much as expected.

1. Air temperature and/or humidity have dropped.
2. Humidity meter and or thermometer used are out of calibration.
3. Unit has entered defrost cycle.
4. Air filter dirty.
5. Defective defrost thermostat.
6. Low refrigerant charge.
7. Air leak such as loose cover or ducting leaks.
8. Defective compressor.
9. Restrictive ducting.
10. Optional Condensate Pump Safety Switch open.

Unit Test to determine problem:

1. Detach field control wiring connections from main unit.
2. Connect the 24V and FAN pigtails from the main unit together; only the impeller fan should run. Disconnect the wires.
3. Connect the 24V and DEHU pigtails from the main unit together; the compressor and impeller fan should run.
4. If these tests work, the main unit is working properly. You should check the control panel and field control wiring for problems next.
5. Remove the control panel from the mounting box and detach it from the field installed control wiring. Connect the DEHU, 24V, and FAN terminals from the control panel directly to the corresponding colored pigtails on the main unit. Leave the, DMPR and COM terminals disconnected!
6. Turn on the fan switch; the impeller fan should run. Turn off the fan switch.
7. Turn on the humidity control; the compressor and impeller fan should run.
8. If these tests work, the problem is most likely in the field control wiring.

7.4 Refrigerant Charging

If the refrigerant charge is lost due to service or a leak, a new charge must be accurately weighed in. If any of the old charge is left in the system, it must be recovered before weighing in the new charge. Refer to the unit nameplate for the correct charge weight and refrigerant type.

7.5 Impeller Fan Replacement

The motorized impeller fan is a unitary assembly consisting of the motor and impeller fan. If defective, the complete assembly must be replaced.

1. Unplug the power cord.
2. Remove the cabinet access panel.
3. Remove the screw attaching the impeller fan support bracket to the base.
4. Disconnect the impeller fan leads inside the electric box.
5. Remove fan/bracket assembly by removing 3 screws from the bracket and inlet ring assembly.
6. Remove the defective impeller fan from the bracket and replace with it with the new impeller fan.
7. Reassemble the new impeller fan by reversing the above procedure. Note: There are two pins on the backside of the cabinet that must align with the two holes in the impeller fan support bracket.

7.6 Compressor/Capacitor Replacement

This compressor is equipped with a two terminal external overload and a run capacitor, but no start capacitor or relay

7.6A Checking Compressor Motor Circuits

Perform the following tests if the impeller fan runs but the compressor does not with the fan switch and ventilation timer OFF and the humidity control ON.

1. Unplug the unit; remove the cabinet side and the electrical connection cover on the compressor top.
2. Plug in the unit and turn the humidity control to ON. Check for volts from compressor terminal R to overload terminal 3 using an AC voltmeter. If correct voltage is present, go to step 3. If no voltage, there may be a loose connection in the compressor circuit. Test each component for continuity. See the appropriate section if a defect is suspected.
3. Unplug the unit, and then disconnect the red and yellow wires from compressor terminals R & S. Using an ohmmeter check continuity between the points listed below.
4. Compressor terminals C and S: No continuity indicates an open start winding. The compressor must be replaced. Normal start winding resistance is 3 to 7 ohms.
5. Compressor terminals C and R: No continuity indicates an open run winding. The compressor must be replaced. Normal run winding resistance is .5 to 2 ohms.
6. Compressor terminal C and overload terminal 1: No continuity indicates a defective overload lead.
7. Overload terminals 1 and 3: If there is no continuity, the overload may be tripped. Wait 10 minutes and try again. If there is still no continuity, it is defective and must be replaced.
8. Compressor terminal C and compressor case: Continuity indicates a grounded motor. The compressor must be replaced.
9. Disconnect the wires from the run capacitor. Set the ohmmeter to the Rx1 scale. The capacitor is shorted and must be replaced if continuity exists across its terminals. If there is no needle movement with the meter set on the Rx100000 scale, the capacitor is open and must be replaced.
10. Reconnect the wires to the compressor and capacitor. Plug in and turn on the unit. If the compressor fails to start, replace the run capacitor.
11. If the unit still does not start, adding a hard-start kit (relay & capacitor) will provide greater starting torque. If this doesn't work, the compressor has an internal mechanical defect and must be replaced.

7.6B Replacing a Burned Out Compressor

The refrigerant and oil mixture in a compressor is chemically very stable under normal operating conditions. However, when an electrical short occurs in the compressor motor, the resulting high temperature arc causes a portion of the refrigerant oil

mixture to break down into carbonaceous sludge, a very corrosive acid, and water. These contaminants must be carefully removed otherwise even small residues will attack replacement compressor motors and cause failures.

The following procedure is effective only if the system is monitored after replacing the compressor to insure that the clean up was complete.

1. This procedure assumes that the previously listed compressor motor circuit tests revealed a shorted or open winding.
2. Remove and properly dispose of the system charge. **DO NOT** vent the refrigerant or allow it to contact your eyes or skin.
3. Remove the burned out compressor. Use rubber gloves if there is any possibility of contacting the oil or sludge.
4. To facilitate subsequent steps, determine the type of burn out that occurred. If the discharge line shows no evidence of sludge and the suction line is also clean or perhaps has some light carbon deposits, the burn out occurred while the compressor was not rotating. Contaminants are therefore largely confined to the compressor housing. A single installation of liquid and suction line filter/driers will probably clean up the system.

If sludge is evident in the discharge line, it will likely be found in the suction line. This indicates the compressor burned out while running. Sludge and acid have been pumped throughout the system. Several changes of the liquid and suction filter/driers will probably be necessary to cleanse the system.

5. Correct the system fault that caused the burn out. Consult the factory for advice.
6. Install the replacement compressor with a new capacitor and an oversized liquid line filter.
In a running burn out, install an oversized suction line filter/drier between the accumulator and compressor. Thoroughly flush the accumulator with refrigerant to remove all trapped sludge and to prevent the oil hole from becoming plugged. A standing burn out does not require a suction line filter/drier.
7. Evacuate the system with a good vacuum pump and accurate vacuum gauge. Leave the pump on the system for at least an hour.
8. Operate the system for a short period of time, monitoring the suction pressure to determine that the suction filter is not becoming plugged. Replace the suction filter/drier if pressure drop occurs. If a severe running burn out has occurred, several filter/driers may have to be replaced to remove all of the acid and moisture.

NOTE: NEVER use the compressor to evacuate the system or any part of it.

7.6C Replacing a Compressor, Nonburn Out

Remove the refrigerant from the system. Replace the compressor and liquid line filter/drier. Charge the system to 50 PSIG and check for leaks. Remove the charge and weigh in the refrigerant quantity listed on the nameplate. Operate the system to verify performance.

7.7 Remote Controls

The Quest Dehumidifier is controlled by devices mounted on a panel that is remote from the unit. You may or may not have the devices listed below depending on the model of the remote control panel you purchased. If the Quest Dehumidifier fails to operate as desired, always check the settings of the controls to insure that they are correct. Check that the controls are receiving 24Vac from the Quest Dehumidifier. Check the connections between the Quest Dehumidifier, the control panel, and the field control wiring.

7.7A Humidity Control

The humidity control is an adjustable switch that closes when the relative humidity of the air in which it is located rises to the dial set point. It opens when the RH drops 4 to 6% below the set point. If the Quest Dehumidifier does not run, try turning the humidity control clockwise until it reaches the stop and the knob pointer points at “Max Dry” (see back of control panel cover). If it still does not run, remove the stop screw from the panel and turn the knob farther. If it then runs, the humidity control is out of calibration or the RH is below 40%.

The Quest Dehumidifier is equipped with an automatic defrost mechanism. If the Quest Dehumidifier operates in conditions that develop frost on the evaporator, it will sense the frost build-up and automatically defrost the evaporator. The Quest Dehumidifier may not appear to be operating correctly during the defrost sequence, but once the defrost sequence is completed, the Quest Dehumidifier will resume dehumidifying.

7.8 Defrost Thermostat

The defrost thermostat is attached to the refrigerant suction tube between the accumulator and the compressor. It will automatically shut the compressor off if the low side refrigerant temperature drops due to excessive frost formation on the evaporator coil. The impeller fan will continue to run, causing air to flow through the evaporator coil and melt the ice. When the ice has melted, the evaporator temperature will rise and the thermostat will restart the compressor.

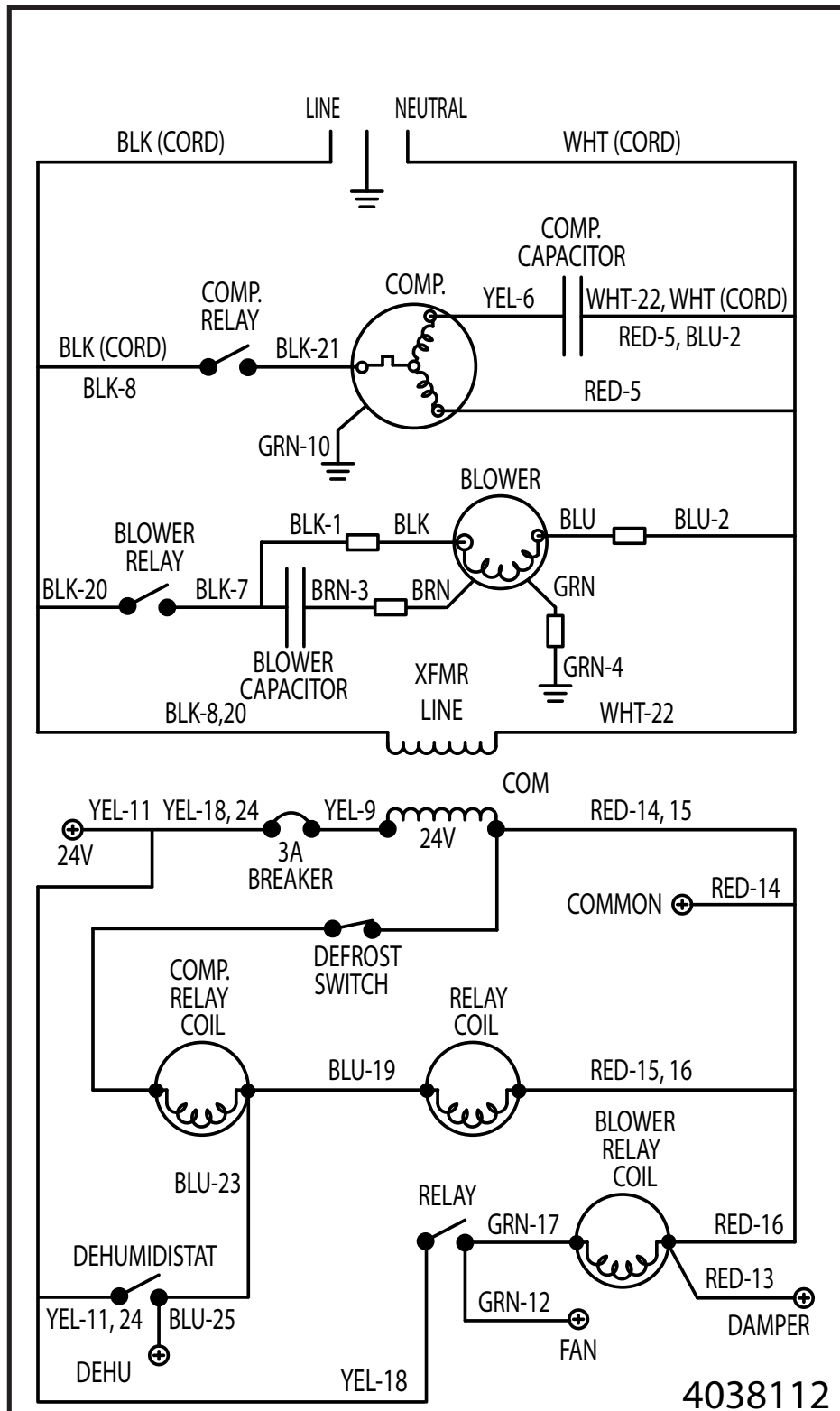
7.9 Condensate Pump Kit

An optional condensate pump kit is available from the factory for use with the Quest Dehumidifier. Condensate is automatically pumped to a remote location when the water level in the pump's reservoir rises to close the float switch.

The pump also contains a safety float switch. The white leads from this switch extend from beneath the pump cover. This switch should be installed in series with the field wire that connects the blue (#5) lead from the Quest Dehumidifier to the blue (#5) lead on the control panel.

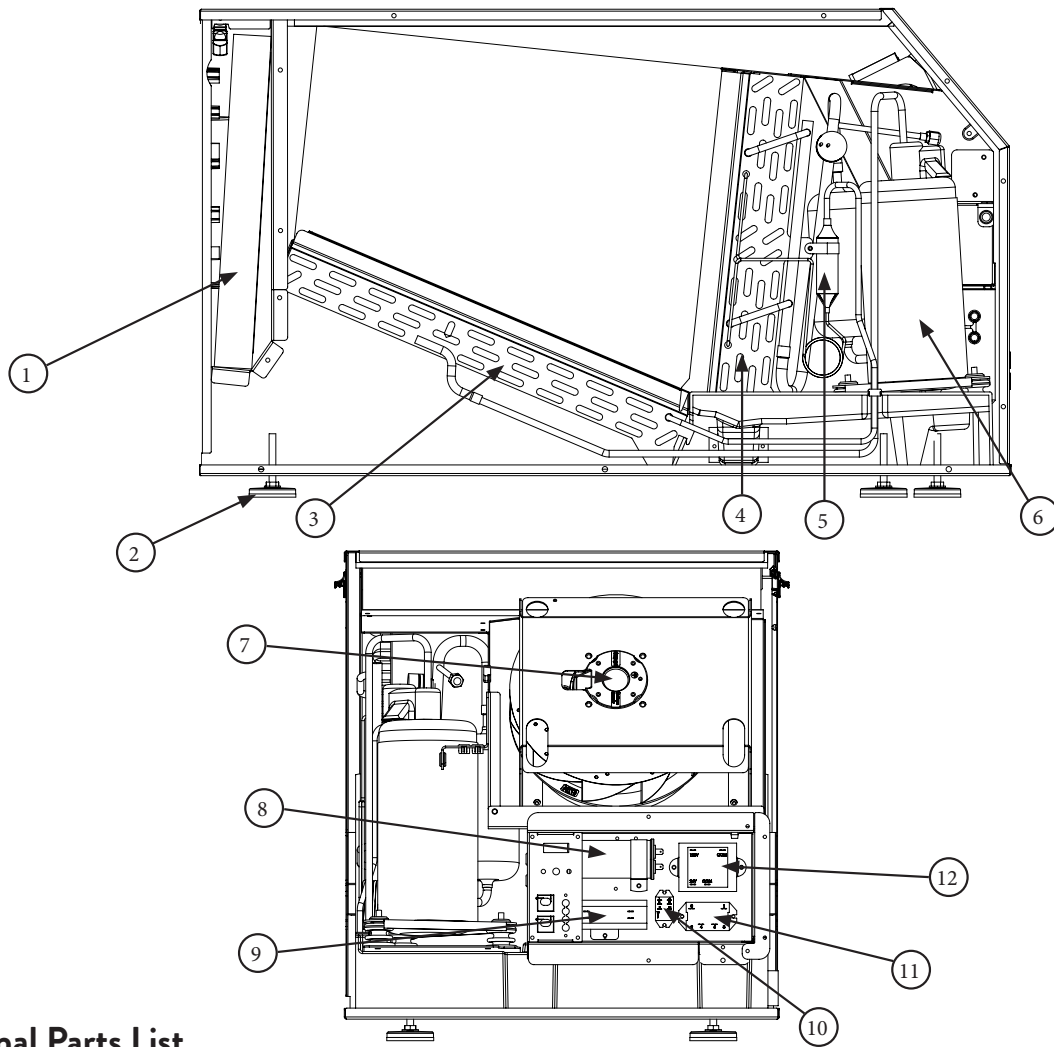
If the pump fails, this switch opens the compressor control circuit and stops water production before the reservoir overflows. The Quest Dehumidifier will continue to ventilate or circulate air as normal, but will not dehumidify until this switch closes.

8. Wiring Diagram



9. Service Parts List

Item	Part No	Qty	Description	Item	Part No	Qty	Description
1	4039391	1	Air Filter 16x20x2" MERV-13	7	4028254	1	Impeller
2	4026221	4	Foot, Leveling, 5/16-18 x 2.25	8	4033032-02	1	Capacitor, Run, 45 MFD, 370V
3	4031085-02	1	Condenser Coil	9	4035235-01	1	Capacitor, Fan, 5 MFD, 370V, Dry
4	4031086-05	1	E-Coat Evaporator Coil	10	4020924	1	Relay, SPDT, 24V, 15A
5	4029510	1	Filter/Drier	11	4022484	1	Relay, SPST, 24V, 30A
6	4028251	1	Compressor	12	4031406	1	XFMR, 240V, 50/60Hz, 24V, 40VA
	4036967	1	Defrost Switch NOT SHOWN		4036559	1	Circuit Breaker NOT SHOWN



10. Optional Parts List

PART NO.	QTY.	DESCRIPTION	PART NO.	QTY.	DESCRIPTION
4036668	2	Bracket, Hanging (2 Required)	4028531	1	DEH 3000R Control, Remote
4028607	1	Supply Duct Kit	4020175	1	Controller, Humidity
4028610	1	Return Duct Kit			

Quest 155 Dehumidifier Limited Warranty

WARRANTOR:

Therma-Stor LLC
4201 Lien Rd
Madison, WI 53704
Telephone: 1-877-420-1330

WHO IS COVERED: This warranty extends only to the original end-user of the Quest 155 dehumidifier, and may not be assigned or transferred.

FIRST YEAR WARRANTY: Therma-Stor LLC warrants that, for one (1) year the Quest 155 dehumidifier will operate free from any defects in materials and workmanship, or Therma-Stor LLC will, at its option, repair or replace the defective part(s), free of any charge.

SECOND THROUGH THIRD YEAR WARRANTY: Therma-Stor LLC further warrants that for a period of three (3) years, the condenser, evaporator, and compressor of the Quest 155 dehumidifier will operate free of any defects in material or workmanship, or Therma-Stor LLC, at its option, will repair or replace the defective part(s), provided that all labor and transportation charges for the part(s) shall be borne by the end-user.

END-USER RESPONSIBILITIES: Warranty service must be performed by a Servicer authorized by Therma-Stor LLC. If the end-user is unable to locate or obtain warranty service from an authorized Servicer, he should call Therma-Stor LLC at the above number and ask for the Therma-Stor LLC Service Department, which will then arrange for covered warranty service. Warranty service will be performed during normal working hours.

The End-user must present proof of purchase (lease) upon request, by use of the warranty card or other reasonable and reliable means. The end-user is responsible for normal care. This warranty does not cover any defect, malfunction, etc. resulting from misuse, abuse, lack of normal care, corrosion, freezing, tampering, modification, unauthorized or improper repair or installation, accident, acts of nature or any other cause beyond Therma-Stor LLC's reasonable control.

LIMITATIONS AND EXCLUSIONS: If any Quest 155 Dehumidifier part is repaired or replaced, the new part shall be warranted for only the remainder of the original warranty period applicable thereto (but all warranty periods will be extended by the period of time, if any, that the Quest 155 Dehumidifier is out of service while awaiting covered warranty service).

UPON THE EXPIRATION OF THE WRITTEN WARRANTY APPLICABLE TO THE Quest 155 DEHUMIDIFIER OR ANY PART THEREOF, ALL OTHER WARRANTIES IMPLIED BY LAW, INCLUDING MERCHANTABILITY AND FITNESS FOR A PARTICULAR PURPOSE, SHALL ALSO EXPIRE. ALL WARRANTIES MADE BY THERMA-STOR LLC ARE SET FORTH HEREIN, AND NO CLAIM MAY BE MADE AGAINST THERMA-STOR LLC BASED ON ANY ORAL WARRANTY. IN NO EVENT SHALL THERMA-STOR LLC, IN CONNECTION WITH THE SALE, INSTALLATION, USE, REPAIR OR REPLACEMENT OF ANY Quest 155 DEHUMIDIFIER OR PART THEREOF BE LIABLE UNDER ANY LEGAL THEORY FOR ANY SPECIAL, INDIRECT OR CONSEQUENTIAL DAMAGES INCLUDING WITHOUT LIMITATION WATER DAMAGE (THE END-USER SHOULD TAKE PRECAUTIONS AGAINST SAME), LOST PROFITS, DELAY, OR LOSS OF USE OR DAMAGE TO ANY REAL OR PERSONAL PROPERTY.

Some states do not allow limitations on how long an implied warranty lasts, and some do not allow the exclusion or limitation of incidental or consequential damages, so one or both of these limitation may not apply to you.

LEGAL RIGHTS: This warranty gives you specific legal rights, and you may also have other rights which vary from state to state.

Garantía limitada del deshumidificador Quest 155

GARANTE:

Therma-Stor LLC

4201 Lien RD

Madison, WI 53704

Teléfono: 1-877-420-1330

QUIÉN ESTÁ CUBIERTO: Esta garantía se extiende sólo al consumidor final original del deshumidificador Quest 155, y no puede asignarse o transmitirse.

GARANTÍA DEL PRIMER AÑO: Therma-Stor LLC garantiza que, por un (1) año el deshumidificador Quest 155 funcionará sin defectos en sus materiales o fabricación, o Therma-Stor LLC, a su elección, reparará o reemplazará las partes defectuosas de forma gratuita.

GARANTÍA DEL SEGUNDO AL TERCER AÑO: Además, Therma-Stor LLC garantiza que por un período de tres (3) años, el condensador, evaporador y compresor del deshumidificador Quest 155 funcionarán sin defectos en sus materiales o fabricación, o Therma-Stor LLC, a su elección, reparará o reemplazará las partes defectuosas, siempre y cuando los costos por mano de obra y transporte de las partes sean asumidos por el consumidor final.

RESPONSABILIDADES DE USUARIO FINAL: La inspección por garantía debe realizarse por un inspector autorizado por Therma-Stor LLC. Si el usuario final es incapaz de localizar u obtener una inspección por garantía de un inspector autorizado, deberá llamar a Therma-Stor LLC al número anterior y preguntarle por el Departamento de inspección de Therma-Stor LLC, que programará el servicio de inspección cubierto por la garantía. La inspección por garantía se realizará durante horas laborales regulares.

El usuario final debe presentar un recibo de compra (arriendo) cuando se lo solicite, mediante la tarjeta de garantía o cualquier otro medio razonable. El usuario final es responsable por el cuidado normal. Esta garantía no cubre cualquier defecto, avería, etc. que resulte del uso indebido, abuso, falta de cuidado normal, corrosión, congelación, manipulación, modificación, reparación o instalación no autorizada o indebida, accidentes, eventos naturales o cualquier otra causa más allá del control razonable de Therma-Stor LLC.

LIMITACIONES Y EXENCIONES: Si cualquier parte del deshumidificador Quest 155 es reparada o reemplazada, la nueva parte será cubierta sólo por el período de garantía restante de la parte original (pero todos los períodos de garantía se extenderán por el período de tiempo, si existiera, que el deshumidificador Quest 155 estuvo fuera de servicio esperando el mantenimiento cubierto por garantía).

LUEGO DE EXPIRAR LA GARANTÍA ESCRITA APLICABLE AL DESHUMIDIFICADOR Quest 155 O CUALQUIER PARTE DEL MISMO, TODAS LAS OTRAS GARANTÍAS SUPUESTAS POR LEY, INCLUYENDO COMERCIALIZACIÓN PARA UN FIN ESPECÍFICO, TAMBIÉN EXPIRARÁN. TODAS LAS GARANTÍAS DE THERMA-STOR LLC SON DECLARADAS EN EL PRESENTE DOCUMENTO, Y NO PUEDE REALIZARSE NINGÚN RECLAMO EN CONTRA DE THERMA-STOR LLC DEBIDO A UNA GARANTÍA ORAL. BAJO NINGÚN CASO THERMA-STOR LLC, EN RELACIÓN CON LA VENTA, INSTALACIÓN, USO, REPARACIÓN O REEMPLAZO DE CUALQUIER DESHUMIDIFICADOR Quest 155 O PARTE DEL MISMO, SERÁ RESPONSABLE POR CUALQUIER DAÑO INDIRECTO O CONSECUENTE, INCLUYENDO PERO SIN LIMITACIÓN, DAÑO POR AGUA (EL USUARIO FINAL DEBE TOMAR PRECAUCIONES CONTRA EL MISMO), GANANCIAS PERDIDAS, RETRASOS O PÉRDIDA DE USO O CUALQUIER DAÑO A BIENES MUEBLES O INMUEBLES.

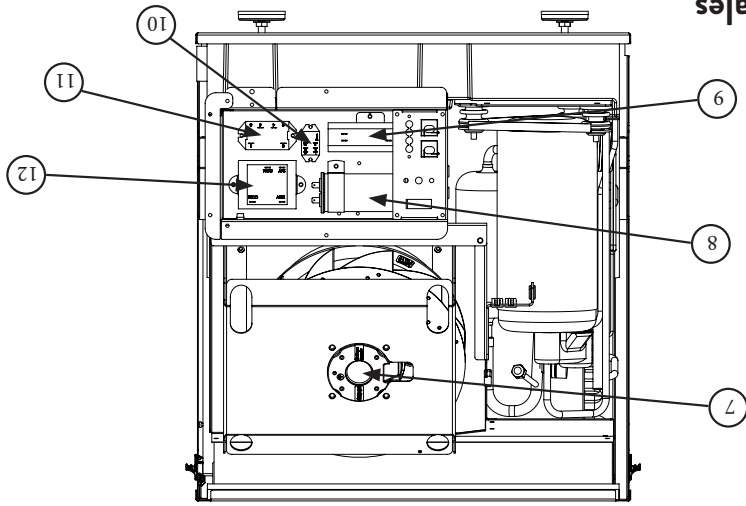
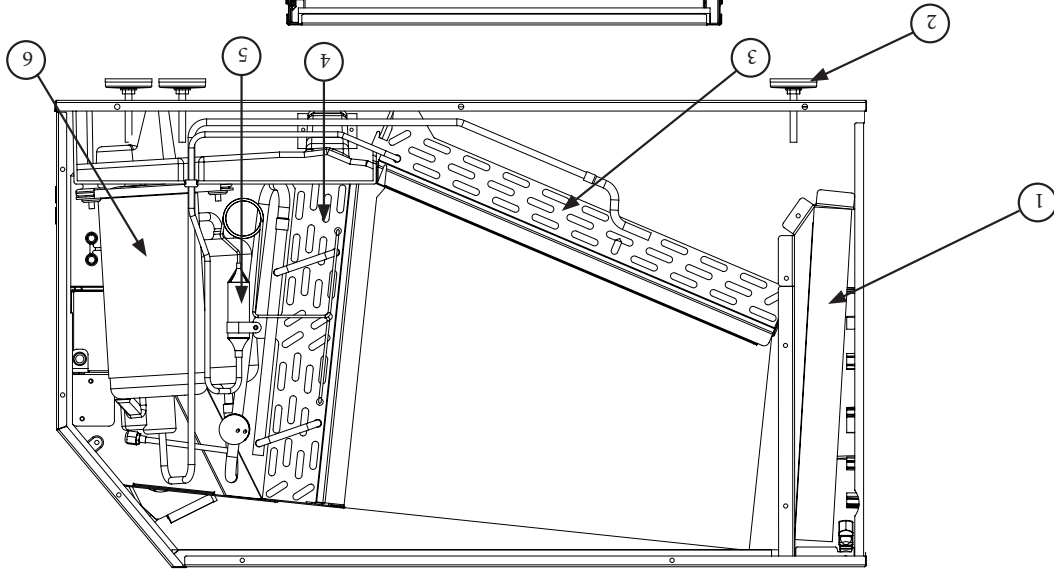
Algunos estados no permiten limitaciones sobre cuánto perdura una garantía implícita, y algunos no permiten la exención o limitación de daños incidentales o consecuentes, así que algunas de estas limitaciones pueden no aplicarse a usted. **DERECHOS LEGALES:** Esta garantía le concede derechos legales específicos y usted podría tener otros derechos que varían de estado a estado.



1-877-420-1330

9. Lista de partes de repuesto

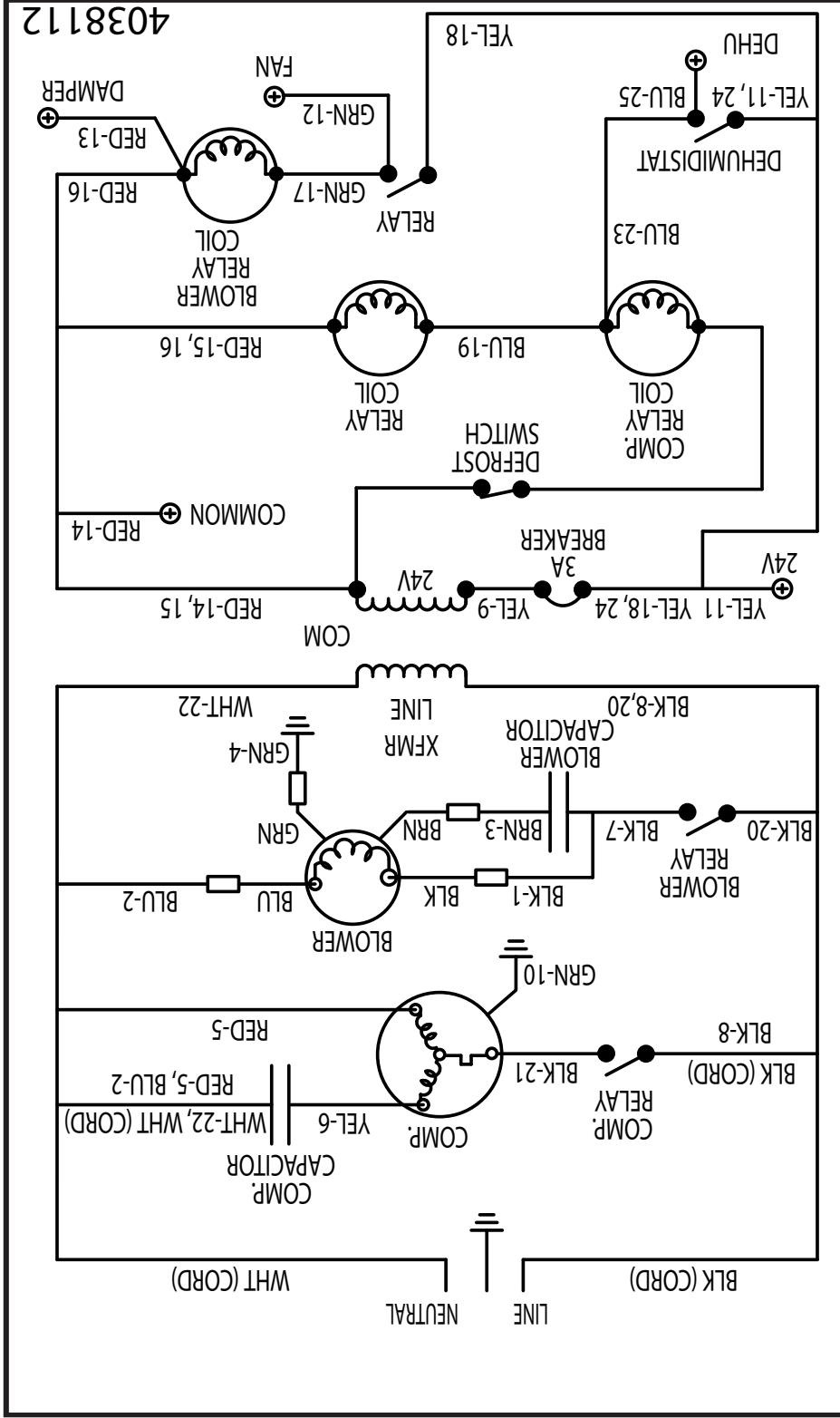
Artículo	Nº de parte	Cantidad	Descripción
1	4039391	1	Filtro de aire 16x20x2" MERV-13
2	4026220	4	Base niveladora 5/16-18 x 2.25
3	4031085-02	1	Bobina del condensador
4	4031086-05	1	Bobina del evaporador con cubierta ecológica
5	4029510	1	Filtro/secador
6	4028251	1	Compresor
	4036967	1	Interruptor de descongelación
	NO MOSTRADO		
7	4028254	1	Propulsor
8	4033032-02	1	Condensador, 45 MFD, 370V
9	4035235-01	1	Condensador del ventilador,
			5 MFD, 370V, Seco
10	4020924	1	Relé, SPDT, 24V, 15A
11	4022484	1	Relé, SPST, 24V, 30A
12	4031406	1	XFMR, 240V, 50/60Hz,
			24V, 40VA
	4036559	1	Disyuntor NO MOSTRADO



10. Lista de partes opcionales

Nº de parte	Cantidad	Descripción
4036668	2	Horquilla para colgar (se necesitan 2)
4028607	1	Kit de tuberías de alimentación
4028610	1	Kit de tuberías de retorno
4028531	1	Control remoto DEH 3000R
4020175	1	Control de humedad

8. Diagrama de cableado



7.7A Control de humedad

El control de humedad es un interruptor ajustable que se cierra cuando la humedad relativa del aire en el que se encuentra llega al punto marcado previamente. Se abre cuando la HR cae de 4 a 6% debajo del punto marcado. Si el deshumidificador Quest no funciona, intente girar en sentido opuesto a las agujas del reloj el control de humedad hasta que se detenga y la palanca apunte a "Secado máximo" (consulte la parte trasera de la cubierta del panel de control). Si aún no funciona, remueva el tornillo de detención y gire aún más la palanca. Si ahora funciona, el control de humedad está descalibrado o la HR es menor a 40%. El deshumidificador Quest está equipado con un mecanismo de descongelación automático. Si el deshumidificador Quest opera en condiciones que son propensas para la formación de hielo en el evaporador, detectará la congelación y descongelará automáticamente el evaporador. Puede parecer que el deshumidificador Quest no funciona correctamente durante la secuencia de descongelación, pero una vez que se termina la secuencia, el deshumidificador Quest continuará con la deshumidificación.

7.8 Termostato de descongelación

El termostato de descongelación está ajustado al tubo de succión de refrigerante entre el acumulador y el compresor. Apagará automáticamente el compresor si la temperatura del refrigerante del lado inferior cae debido a la formación excesiva de hielo en la bobina del evaporador. El propulsor del ventilador continuará funcionando, provocando que el aire fluya a través de la bobina del evaporador y derrita el hielo. Cuando el hielo se haya derretido, la temperatura del evaporador aumentará y el termostato reiniciará el compresor.

7.9 Kit de bomba de condensados

Un kit de bomba de condensados opcional está disponible en la fábrica para utilizar con el deshumidificador Quest. El condensado se bombea automáticamente a una ubicación remota cuando el nivel de agua en la reserva de la bomba aumenta y cierra el interruptor flotante.

La bomba también contiene un interruptor de seguridad flotante. Los cables blancos de este interruptor se extienden desde debajo de la cubierta de la bomba. Este interruptor debe instalarse en serie con el cableado de control que conecta el cable azul (#5) desde el deshumidificador Quest al cable azul (#5) en el panel de control.

Si la bomba falla, este interruptor abre el circuito de control del compresor y detiene la producción de agua antes de que la reserva se rebose. El deshumidificador Quest continuará ventilando o circulando aire de forma normal, pero no deshumidificará hasta que este interruptor se cierre.

7.6B Reemplazar un compresor fundido

La mezcla de refrigerante y aceite en un compresor es químicamente muy estable bajo condiciones operativas normales. Sin embargo, cuando ocurre un cortocircuito en el motor del compresor, el arco de alta temperatura resultante causa que una porción de la mezcla de refrigerante y aceite se descomponga en fango carbonoso, un ácido muy corrosivo, y agua. Estos contaminantes deben removerse cuidadosamente sino incluyen los residuos pequeños afectarán los motores de repuesto del compresor y causarán fallas.

El siguiente procedimiento sólo funciona si el sistema es controlado luego de reemplazar el compresor para asegurar que la limpieza fue absoluta.

1. Este procedimiento supone que las pruebas del circuito del motor del compresor listadas previamente revelaron un cortocircuito o apertura.
2. Remueva y desbárgese adecuadamente de la carga del sistema. **NO ventile el refrigerante o permita que entre en contacto con sus ojos o piel.**
3. Remueva el compresor fundido. Utilice guantes de goma si existe la posibilidad de tocar el aceite o fango.

4. Para facilitar los pasos siguientes, determine el tipo de cortocircuito que ocurrió. Si la línea de descarga no muestra evidencia de fango y la línea de succión también está limpia o tiene pocos depósitos de carbono, el cortocircuito ocurrió cuando el compresor no estaba rotando. Por lo tanto, los contaminantes están confinados en su mayoría en la carcasa del compresor. Una simple instalación de una línea de filtro/secador y succión de líquido limpiará el sistema.

5. Corrija la falla del sistema que causó el cortocircuito. Consulte con la fábrica por consejos.
6. Instale el compresor de repuesto con un nuevo condensador y una mayor línea de filtrado de líquidos.

- En un cortocircuito mientras funciona, instale una mayor línea de filtrado/secado entre el acumulador y el compresor. Limpie cuidadosamente el acumulador con refrigerante para remover todo el fango acumulado y prevenir que el agujero de aceite se obstruya. Un cortocircuito en apagado no necesita una línea de succión de filtro/secado.

7. Limpie el sistema con una buena bomba aspiradora, calibrada y precisa. Deje la bomba en el sistema por lo menos una hora.
8. Utilice el sistema por un corto periodo de tiempo, vigilando la presión de succión para determinar si el filtro de succión no se está obstruyendo. Reemplace el filtro/secador de succión si la presión cae. Si ha ocurrido un cortocircuito grave, deben reemplazarse varios filtros/secadores para remover todo el ácido y fango.

NOTA: NUNCA utilice el compresor para limpiar el sistema o cualquier parte del mismo.

7.6C Reemplazar un compresor no fundido

Remueva el refrigerante del sistema. Reemplace el compresor y la línea de filtrado/secado de líquido. Cargue el sistema a 50 PSIG y compruebe si tiene fugas. Remueva la carga y coloque la cantidad de refrigerante detallada en la placa de nombre. Inicie el sistema para verificar el rendimiento.

7.7 Controles remotos

El deshumidificador Quest es controlado por dispositivos instalados en un panel externo a la unidad. Usted puede o no tener los dispositivos listados a continuación dependiendo del modelo de panel de control remoto que usted compró. Si el deshumidificador Quest no funciona en la forma deseada, compruebe siempre la configuración de los controles para asegurarse de que son adecuados. Compruebe que los controles reciban 24Vac del deshumidificador Quest. Compruebe las conexiones entre el deshumidificador Quest, el panel de control y el cableado de control.

7.5 Reemplazar el propulsor del ventilador

El propulsor motorizado del ventilador es un ensamble uniforme que consiste del motor y el propulsor del ventilador. Si es defectuoso, debe reemplazarse todo el ensamble.

1. Desconecte el cable eléctrico.
2. Remueva el panel de acceso al cuerpo.
3. Remueva el tornillo que ajusta la horquilla del soporte del propulsor del ventilador a la base.
4. Desconecte los cables del propulsor del ventilador dentro de la caja eléctrica.
5. Remueva el ensamble de ventilador/horquilla removiendo los 3 tornillos de la horquilla y el anillo de ensamble interno.
6. Remueva el propulsor del ventilador defectuoso de la horquilla y reemplace con un nuevo propulsor.
7. Rearme el nuevo propulsor utilizando el procedimiento previo a la inversa. Nota: Hay dos pasadores detrás del cuerpo que deben alinearse con los dos agujeros en la horquilla del soporte del propulsor.

7.6 Reemplazar el compresor/condensador

Este compresor está equipado con una sobrecarga externa de dos terminales y un condensador, pero sin condensador o relé de arranque.

7.6A Comprobar los circuitos del motor del compresor

Realice las siguientes pruebas si funciona el propulsor del ventilador pero el compresor no con el interruptor del ventilador y el temporizador de ventilación en OFF y el control de humedad en ON.

1. Desconecte la unidad, remueva el cuerpo lateral y la cobertura de la conexión eléctrica sobre el compresor.
2. Conecte la unidad y coloque el control de humedad en ON. Compruebe el voltaje de la terminal R del compresor a la terminal de sobrecarga 3 utilizando un voltímetro AC. Si el voltaje es correcto, siga al paso 3. Si no hay voltaje, puede haber una conexión floja en el circuito del compresor. Pruebe cada componente por continuidad. Consulte la sección apropiada si sospecha de un defecto.
3. Desconecte la unidad y luego desconecte los cables rojo y amarillo de las terminales R y S del compresor. Utilizando un ohmímetro para comprobar la continuidad entre los puntos listados a continuación.
4. Terminales C y S del compresor: La no continuidad significa una apertura en las bobinas. El compresor debe ser reemplazado. La resistencia normal a los sobresaltos es de 3 a 7 ohmios.
5. Terminales C y R del compresor: La no continuidad significa un corto en las bobinas. El compresor debe ser reemplazado. La resistencia normal a los cortos es de .5 a 2 ohmios.
6. Terminal C del compresor y terminal de sobrecarga 1: La no continuidad significa un cable de sobrecarga defectuoso.
7. Terminales de sobrecarga 1 y 3: Si no hay continuidad, la sobrecarga podría estar activada. Espere 10 minutos y vuelva a intentar. Si sigue no habiendo continuidad, esta defectuosa y debe reemplazarse.
8. Terminal C del compresor y caja del compresor: La continuidad significa un motor a tierra. El compresor debe ser reemplazado.
9. Desconecte los cables del condensador. Configure el ohmímetro a la escala Rx1. El condensador está en cortocircuito y debe reemplazarse si existe continuidad entre sus terminales. Si no hay movimiento en la aguja con el medidor configurado en la escala Rx10000, el condensador está abierto y debe ser reemplazado.
10. Reconecte los cables al compresor y condensador. Conecte y encienda la unidad. Si el compresor no enciende, reemplace el condensador.
11. Si la unidad no enciende, añadir un kit de arranque forzado (relé y condensador) proporcionará mayor par de torsión. Si esto no funciona, el compresor tiene un defecto mecánico interno y debe ser reemplazado.

Baja capacidad de deshumidificación (el evaporador está continuamente congelado). Se requiere deshumidificación

1. Termostato de descongelamiento flojo o defectuoso.
2. Baja carga de refrigerante
3. Filtros de aire sucios o flujo de aire limitado.
4. Excesiva tubería restrictiva conectada a la unidad.

No hay ventilación. Se requiere ventilación.

1. Conexión floja en el circuito de control de ventilación.
2. Conexión floja en el circuito de alimentación del amortiguador.
3. Amortiguador de aire fresco defectuoso.

La unidad remueve algo de agua pero no la suficiente.

1. Ha caído la temperatura y/o humedad del aire.
2. El medidor de humedad y/o termómetro están descalibrados.
3. La unidad ha comenzado el ciclo de descongelamiento.
4. Filtro de aire sucio.
5. Termostato de descongelamiento defectuoso.
6. Baja carga de refrigerante.
7. Fuga de aire como cubierta floja o fugas en tuberías.
8. Compresor defectuoso.
9. Tuberías restrictivas.
10. Interruptor de seguridad opcional de la bomba de condensados abierto.

Prueba de la unidad para determinar el problema:

1. Desconectar las conexiones de cableado de control de la unidad principal.
2. Conecte entre sí las coletas 24V y FAN de la unidad principal, debería funcionar sólo el ventilador. Desconecte los cables.
3. Conecte entre sí las coletas 24V y DEHU de la unidad principal, sólo deberían funcionar el compresor y el propulsor.
4. Si estas pruebas funcionan, la unidad principal funciona correctamente. Ahora, usted debería comprobar el panel de control y el cableado de control por problemas.
5. Remueva el panel de control de la caja de montaje y sepárelo del cableado de control instalado. Conecte las terminales DEHU, 24V y FAN del panel de control directamente en las coletas correspondientes en la unidad principal. ¡No conecte las terminales DMPR y COM!
6. Encienda el interruptor del ventilador, el propulsor debería funcionar. Apague el interruptor del ventilador.
7. Encienda el control de humedad, el propulsor y el compresor deberían funcionar.
8. Si estas pruebas funcionan, el problema se encuentra seguramente en el cableado de control.

7.4 Carga de refrigerante

Si se pierde refrigerante debido a una inspección o fuga, debe realizarse una nueva carga de forma precisa. Si queda algo de la carga previa en el sistema, debe quitarse antes de realizar la nueva carga. Consulte la placa de nombre de la unidad para la carga y el tipo de refrigerante correctos.

7.2 Descripción técnica

El deshumidificador Quest utiliza un sistema de refrigeración similar a un aire acondicionado para remover el calor y la humedad del aire entrante, y para añadir calor al aire despedido.

Gas refrigerante caliente y de alta presión se envía desde el compresor a la bobina condensadora. El refrigerante se enfría y condensa transmitiendo su calor al aire que está a punto de ser despedido de la unidad. Entonces, el refrigerante líquido atraviesa una tubería filtro/secador y un dispositivo de expansión que disminuye la presión y temperatura del refrigerante. Luego ingresa a la bobina de evaporación donde absorbe el calor del aire entrante y se evapora. El evaporador funciona en condiciones de inundación, lo que significa que todos los tubos del evaporador contienen refrigerante líquido durante el uso normal. Un evaporador inundado debería mantener casi presión y temperatura constantes en toda la bobina, desde la interior a la exterior.

La mezcla de gases y refrigerante líquido ingresa al acumulador luego de dejar la bobina del evaporador. El acumulador evita que el refrigerante líquido alcance el compresor. El compresor evacúa el frío gas refrigerante del acumulador y lo comprime a alta presión y temperatura para repetir el proceso.

7.3 Solución de problemas

No funciona ningún ventilador o compresor. Se requiere deshumidificación. No funciona el ventilador.

1. Unidad desconectada o toma corriente sin electricidad.
2. Configuración de control de humedad muy alta.
3. Conexión floja en cableado interno o de control.
4. Relé del compresor defectuoso.
5. Transformador de control defectuoso.

El compresor no funciona. Se requiere deshumidificación. No funciona el ventilador.

1. Condensador del compresor defectuoso.
2. Conexión floja en el circuito del compresor.
3. Sobrecarga en el compresor defectuoso.
4. Compresor defectuoso.
5. Termostato de descongelamiento abierto.

El compresor se enciende y apaga. Se requiere deshumidificación. No funciona el ventilador.

1. Baja temperatura y/o humedad en el ambiente que causa que la unidad repita el modo de descongelamiento.
2. Sobrecarga en el compresor defectuoso.
3. Compresor defectuoso.
4. Termostato de descongelamiento defectuoso.
5. Filtros de aire sucio/s o flujo de aire limitado.

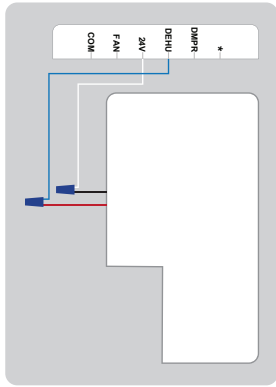
El ventilador no funciona. Se requiere deshumidificación o ventilación.

1. Conexión floja en el circuito del ventilador.
2. Una obstrucción previene la rotación del ventilador.
3. Ventilador defectuoso.
4. Relé del ventilador defectuoso.

5.2B Humidistato Honeywell remoto

4020175

HONEYWELL REMOTE HUMIDISTAT WIRING DIAGRAM



6. Mantenimiento

!PRECAUCIÓN! NOTA: No utilice la unidad sin filtro o con un filtro ineficiente. Las bobinas de intercambio de calor dentro de la unidad podrían obstruirse y necesitar un desmontaje para limpiarse. Un filtro ineficiente anula la garantía del producto.

El deshumidificador Quest viene de fábrica con un eficiente filtro MERV 13 plegado estándar. Utilizar la unidad con un filtro sucio reduce la capacidad y eficiencia del deshumidificador y puede causar que el compresor varíe entre "apagado" y "encendido" de forma innecesaria.

Para acceder al filtro de aire, remueva el panel de acceso al filtro del extremo del deshumidificador Quest. El filtro debería ser visible y puede removerse jalando directamente del Deshumidificador Quest. Recomendamos como mínimo cambiar el filtro cada 3-6 meses.

7. Inspección

!PRECAUCIÓN! Inspeccionar el Quest con su sistema refrigerante de alta presión y circuito de alto voltaje representa un peligro para la salud que podría resultar en muerte, lesión corporal grave y/o daños a la propiedad. Solo inspectores calificados deben inspeccionar esta unidad.

PRECAUCIÓN: Si el cable suministrado está dañado, debe ser reemplazado por el fabricante, sus agentes de reparación o una persona similarmente calificada con el fin de evitar lesiones.

7.1 Garantía

Un certificado de garantía ha sido incluido con esta unidad, léalo antes de comenzar cualquier reparación. Si se requiere una reparación por garantía, llame primero a la fábrica al 1-877-420-1330 para obtener una autorización de reclamo por garantía y asistencia técnica.

5.2 Controles externos

El deshumidificador Quest se controla utilizando cinco terminales.

- COM = Transformador eléctrico neutral de 24 voltios AC (común con blanco)
- FAN = Control del ventilador
- 24V = Lado alto del transformador
- DEHU = Control de deshumidificación (ventilador y compresor)
- DMPR = Transformador eléctrico neutral de 24 voltios AC (común con rojo)

* El humidistato integrado debe configurarse en "Húmedo"

Entre el cable COM/DMPR y los cables de 24V hay un transformador de 40VA. Esta fuente de energía de bajo voltaje alimenta las bobinas de relé que controlan el ventilador y los compresores. Este transformador 24VAC también puede utilizarse para alimentar los accesorios HVAC externos al deshumidificador.

- Para encender el deshumidificador haga contacto entre las terminales 24V y DEHU, o gire el humidistato en contra de las agujas del reloj hacia seco.
- Para encender el ventilador haga contacto entre las terminales 24V y FAN.

- Para alimentar un accesorio 24V HVAC, conecte el accesorio a la terminal COM y a la terminal 24V.

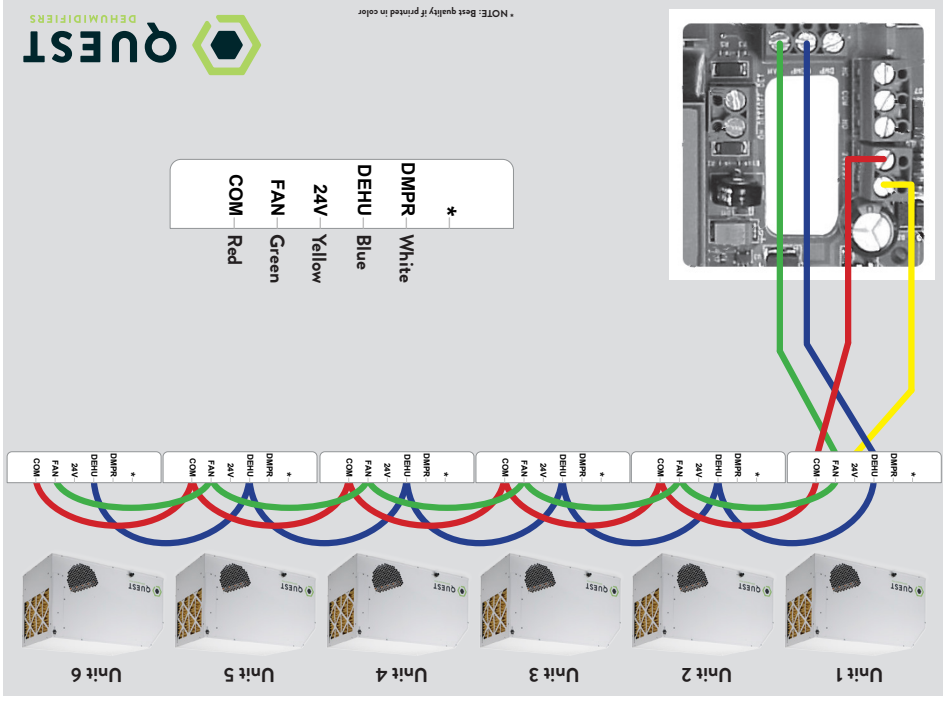
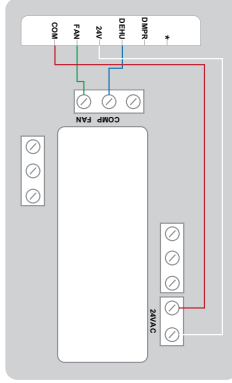
NOTA: Se requiere un cable 18 ga entre el deshumidificador Quest y los controles externos.

Quest ofrece dos opciones de controles externos

5.2A DEH 3000R

4028531

QUEST DEH 3000R CONTROL WIRING DIAGRAM



NOTA: Se requiere un cable 22 ga para el sensor

accesorios para encargar. Contacte a su vendedor, llame al 1-877-420-1330 o ingrese a www.questhydro.com/product-category/

4.5 Tuberias

4.5A Kit de tuberías de alimentación (P/N 4028607)

Un kit de tuberías de alimentación diseñado de fábrica puede comprarse para utilizar tuberías 10" en ambas salidas del Quest. Contacte a su vendedor, llame al 1-877-420-1330 o ingrese a www.questhydro.com/product-category/accessories para comprar.

4.5B Kit de tuberías de retorno (P/N 4028610)

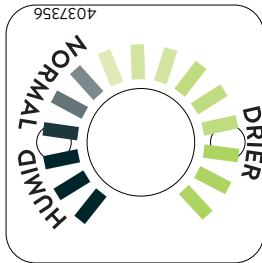
Un kit de tuberías de retorno diseñado de fábrica puede comprarse para utilizar tuberías 12". Contacte a su vendedor, llame al 1-877-420-1330 o ingrese a www.questhydro.com/product-category/accessories para comprar.

5. Opciones de controles

El deshumidificador Quest puede controlarse mediante su humidistato integrado o con controles externos utilizando su terminal de bajo voltaje.

5.1 Humidistato integrado

El control de humedad es un interruptor ajustable que se cierra cuando la humedad relativa del aire en el que se encuentra llega al punto marcado previamente. Se abre cuando la HR cae de 4 a 6% debajo del punto marcado.



Niveles de humedad aproximados por configuración

"Seco"	de 20% a 30% de humedad relativa
"Normal"	50% de humedad relativa (recomendado)
"Húmedo"	de 80% a 90% de humedad relativa

El deshumidificador funcionará hasta que la humedad relativa (HR) se reduzca a la humedad configurada.

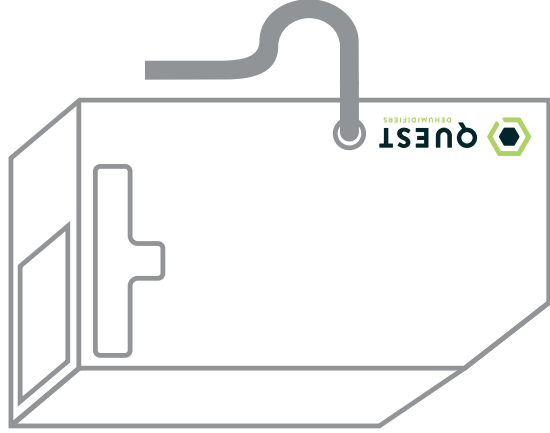
!PRECAUCIÓN! Para un drenado adecuado, la unidad debe colocarse de modo que la salida de drenaje esté al menos a 7cm sobre el piso drenado, y debe estar totalmente apoyada bajo la base.

4.3 Remoción de agua condensada

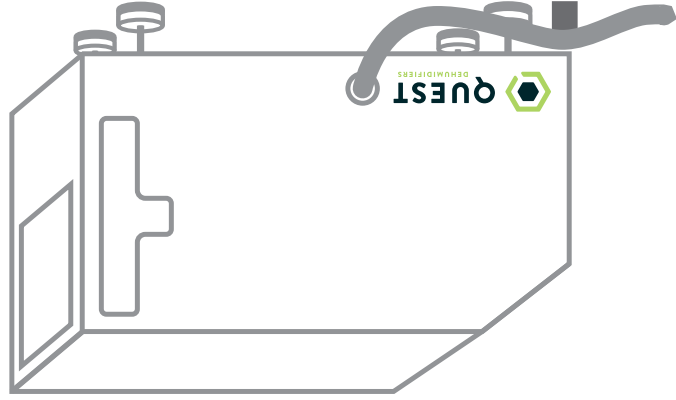
El condensado es drenado al drenaje gracias a la gravedad. Utilice un tubo macho NPT PVC de 3/4". Coloque el tubo de drenado sobre el drenaje; instale una trampa. Sea cuidadoso al instalar el tubo de drenado sobre el drenaje. Utilice una llave ajustable para asegurar el drenaje. Un equipo de bombeo de condensado opcional puede instalarse si se requiere elevación para eliminar el condensado. El kit de bombeo de condensado puede encargarse directamente a la fábrica. Consulte la lista de partes opcionales por información sobre el kit.

Al instalar la manguera de drenado asegúrese que las patas estén extendidas de tal manera que el deshumidificador esté 7cm sobre el suelo. Luego, enrollé la manguera debajo de sí misma o coloque un separador para levantar la manguera 3cm sobre el suelo luego de que esta lo toque. Este procedimiento creará una trampa que asegura que su unidad drene de forma adecuada. Consulte el diagrama para una aclaración visual.

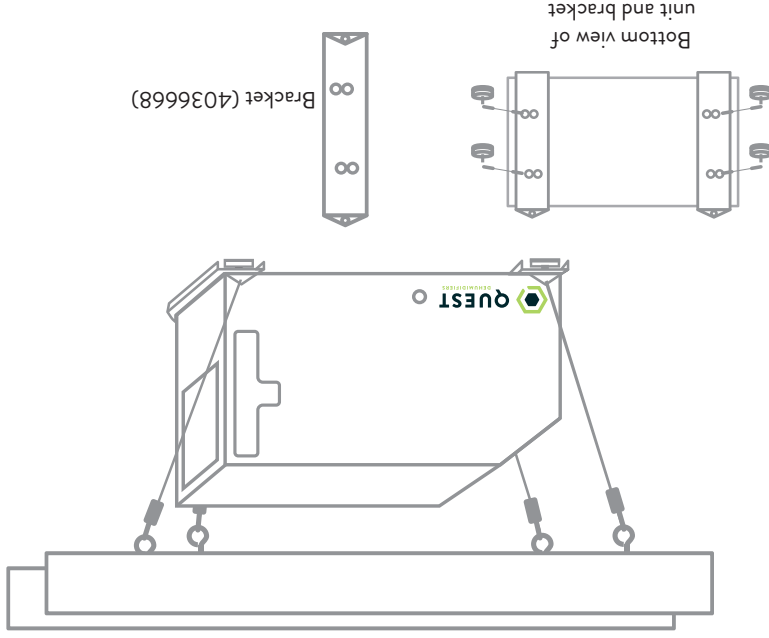
Opción 1



Opción 2



4.4 Diagrama de colocación aérea



4. Instalación

!Precaución! Remueva el nudo del envío del compresor de la unidad. No hacerlo provocará que se transmita vibración excesiva al marco.

4.1 Ubicación

El deshumidificador Quest puede instalarse en varias ubicaciones para satisfacer las necesidades del propietario como se listan a continuación. En todos los casos mantenga las siguientes advertencias en mente:

- Está diseñado para ser instalado EN INTERIORES, EN UN ESPACIO PROTEGIDO DE LLUVIA E INUNDACIONES.

- Instale la unidad con espacio para acceder a los paneles trasero y laterales para mantenimiento e inspección y también para tener un fácil acceso al panel cobertor del filtro. **NO INSTALE LA UNIDAD CON EL PANEL FRONTAL O EL PANEL COBERTOR DEL FILTRO INACCESIBLES.**

- Evite descargar el aire directamente hacia personas o sobre piscinas.

- Asegúrese de que **NO** hay posibilidad de que la unidad pueda caer al agua o ser salpicada y que está conectada a un INTERRUPTOR CABLE A TIERRA.

- **NO UTILICE** el deshumidificador Quest como silla o mesa.

- **NO COLOQUE** el deshumidificador Quest directamente sobre vigas estructurales. Provea aislamiento de vibración con el fin de minimizar la vibración operacional y/o ruido.

- Una bandeja de drenaje DEBE colocarse debajo de la unidad si se instala sobre un área donde las fugas de agua puedan causar daños.

Coloque el deshumidificador Quest en soportes que levanten la base de la unidad 7cm sobre los bordes de la bandeja de drenaje debajo de ella. Levantar el deshumidificador Quest ayudará a drenar la unidad gracias a la gravedad. No coloque el deshumidificador Quest directamente sobre vigas estructurales del edificio sin absorbentes de vibración, caso contrario podría resultar en sonido no deseado.

El deshumidificador Quest puede mantenerse elevado con ganchos tirantes de acero o con una alternativa adecuada desde las vigas estructurales, la unidad debe sostenerse desde debajo. No lo cuelgue desde los lados o extremos. Recuerde colocar una bandeja de drenaje si la unidad está suspendida sobre un área acabada o sobre un área que podría ser dañada por las fugas de agua. *Consulte la sección 4.4*

4.2 Requisitos eléctricos

El deshumidificador Quest se conecta en receptáculos IEC. Los amperes utilizados por cada unidad bajo condiciones operativas normales se encuentran en la página 4. Un circuito protegido por interruptor cable a tierra es obligatorio.

Instale el panel de control remoto en el área central de la estructura donde detectará correctamente la humedad relativa del edificio. No instale el panel de control donde no pueda detectar correctamente la humedad relativa, por ejemplo cerca de detectores HVAC, cerca de puertas exteriores o spa. El instalador debe suministrar el cableado entre el deshumidificador Quest y el panel de control. Asegúrese de encaminar correctamente el cableado de control para prevenir daños durante la instalación. Sea cuidadoso y no cruce los cables al conectar el deshumidificador Quest y el panel de control remoto.

Los controles remotos del deshumidificador Quest son alimentados por un circuito de bajo voltaje (24 VAC) y NUNCA deben tocar o ser conectados a un circuito de alto voltaje. Las terminales de control y el control remoto están etiquetadas y numeradas para prevenir errores. Asegúrese de consultar el esquema eléctrico en este manual o dentro del panel de acceso del deshumidificador Quest antes de conectar los controles.

1. Uso intencionado del Quest 155

El Quest 155 está diseñado para operar en temperaturas entre 5°C y 35°C.

Para controlar eficientemente los niveles de humedad, el área en la que vaya a funcionar el deshumidificador debe estar libre de intrusión de agua o filtración excesiva de aire (exterior) fresco. Antes de instalar el Quest 155, los problemas de intrusión de agua y filtración de aire deberían solucionarse.

2. Registro

El Quest 155 cumple con los estándares CE.

3. Especificaciones a 26.7°C/ 60% HR

Quest 155 4037400-XX:	Soplador: 415 CFM a 0.0" WG
	Potencia: (Watts) 800
	Voltaje de entrada: 230 VAC - 1 Fase - 50 Hz.
	Consumo de corriente: (Amperes) 3.5
	Factor energético: (L/ kWh) 3.74
	Temperatura operacional: Mínimo 5°C - Máximo 35°C
	Remoción de agua: (l/ día) 71
	Filtro de aire: MERV-13 Tamaño: 41cm x 51cm x 5cm NPT rosca de 3/4"
	Conexión de drenaje: R410A Cantidad de refrigerante: 2 lbs, 1 oz
	Medidas: Ancho: 96cm Alto: 56cm Largo: 51cm Peso: 61 kg
	Cable eléctrico: Fem IEC de 20' 60320-C13
	Cable para el Reino Unido 4037400-01 BS 1363 (tipo G)
	Cable para Australia 4037400-02 AS 3112 (tipo I)
	Cable para la UE 4037400-03 CEE 7/7 (tipo E y F)

Precauciones de seguridad

Lea cuidadosamente las instrucciones de instalación, uso y mantenimiento antes de instalar y utilizar este dispositivo. Cumplir adecuadamente estas instrucciones es esencial para obtener el máximo beneficio de su sistema de calidad de aire interior Quest 155.

Lea y conserve estas instrucciones

- Nunca utilice una unidad con el cable de alimentación dañado. Si el cable está dañado, debe ser reemplazado por el fabricante, sus agentes de reparación o una persona similarmente calificada con el fin de evitar lesiones.
- No desconecte la unidad jalando del cable. Agarre firmemente el enchufe y jale para quitar del toma corriente o receptáculo.
- Al conectar la unidad utilice un toma corriente con interruptor cable a tierra. Este dispositivo no está fabricado para ser utilizado por personas (incluyendo niños) con capacidades físicas, sensoriales o mentales reducidas, o con falta de experiencia o conocimiento, a menos que hayan sido instruidos sobre el uso del dispositivo por una persona responsable de su seguridad. Los niños deben estar bajo supervisión para asegurar que no jueguen con el dispositivo.
- Nunca utilice equipo eléctrico cerca del o sobre el agua.
- No inserte sus dedos u otros objetos a través de la rejilla de seguridad.
- La unidad debe ser utilizada en posición vertical.
- Al cambiar filtros, no inserte sus dedos u otros objetos en la unidad.
- No restrinja el flujo de aire que ingresa o sale de la unidad. Esto podría hacer que la unidad se sobrecaliente.
- La unidad no debe ser inspeccionada o limpiada si está enchufada.
- No se siente o pare sobre la unidad, o la utilice como una mesa.
- Antes de dejar sin supervisión la unidad, asegúrese de que los niños no tengan acceso al equipo. No permita que los niños jueguen con o cerca de la unidad o su flujo de aire.
- La unidad está diseñada para ser instalada sólo en interiores.
- No utilice componentes de repuesto. Póngase en contacto con el instalador o llame al 1-877-420-1330 por reparaciones o cuestiones sobre la garantía.

Tabla de contenidos

Precauciones de seguridad 3

1. Usos intencionados/ 4

2. Registro 4

3. Especificaciones 4

4. Instalación 5

4.1 Ubicación 5

4.2 Requisitos eléctricos 5

4.3 Remoción de agua condensada 6

4.4 Diagrama de colocación aérea 6

4.5 Tuberías 7

4.5A Kit de tuberías de alimentación (P/N 4028607) 7

4.5B Kit de tuberías de retorno (P/N 4028610) 7

5. Opciones de controles 7

5.1 Humidistato integrado 7

5.2 Controles externos 8

5.2A DEH 3000R 8

5.2B Humidistato Honeywell remoto 9

6. Mantenimiento 9

7. Inspección 9

7.1 Garantía 9

7.2 Descripción técnica 10

7.3 Solución de problemas 10

7.4 Carga de refrigerante 11

7.5 Reemplazar el propulsor del ventilador 12

7.6 Reemplazar el compresor/condensador 12

7.6A Comprobar los circuitos del motor del compresor 12

7.6B Reemplazar un compresor fundido 13

7.6C Reemplazar un compresor no fundido 13

7.7 Controles remotos 13

7.7A Control de humedad 14

7.8 Termostato de descongelación 14

7.9 Kit de bomba de condensados 14

8. Diagrama de cableado 15

9. Lista de partes de repuesto 16

Garantía 18



Quest 155 DE 50Hz

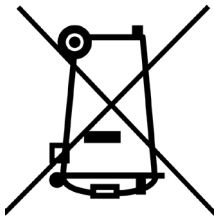
Instrucciones de instalación, uso y mantenimiento

- Lea y conserve estas instrucciones -

Se proporciona este manual para informarlo sobre el deshumidificador con el fin de que la instalación, uso y mantenimiento sean los correctos. La satisfacción máxima depende de la calidad de la instalación y de un conocimiento total de este equipo. El deshumidificador está fabricado con criterios de ingeniería probados y ha pasado por una inspección de calidad de fabricación y funcionamiento.

Quest 155 de 50Hz:

- Eficiencia líder en la industria
- Intercambiador de calor aire a aire optimizado y patentado
- Ventilador de gran eficiencia y vida útil
- Filtración MERV-13
- Reinicio automático luego de apagones
- Control de bajo voltaje



Índice de remoción de agua por día a 26.7°C (80°F) 60% (AHAM)

Deshumidificador Quest 155
Litros 71
Pintas/galones 150/18.7



4201 Lien Rd
Madison, WI 53704
www.QuestClimate.com
Teléfono 608-237-8400
Línea gratuita 1-877-420-1330
info@QuestClimate.com

Therma-Stor LLC
Driven by performance. Powered by design.™

